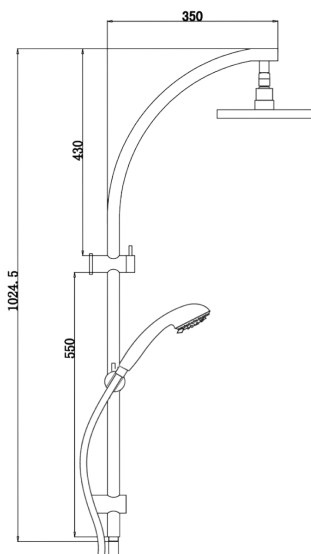


# FORENO Round Double Head Shower



PRODUCT CODE

**C3-2**

COLOUR/FINISHES

Chrome/Grey

PRESSURE TYPE

Mains Pressure only

MIN. PRESSURE

150kPa

MAX. PRESSURE

500kPa (As per NZ Building Code AS/NZ 3500.1)

WELS RATING

Mains 3 Star; 8L/min

MAX. TEMPERATURE

65°C

PLUMBING CONNECTION

Top Bracket Inlet  
15mm

WALL FIXINGS

Adjustable lower mount – max 500mm  
centers

SHOWER HEAD SIZE

200mm Diameter

HANDPIECE

3 Function

REPLACEMENT PART/S

Shower Head – FORPT137  
Trijet Handpiece – FORPT100  
Shower Hose – Chrome FORPT12

Specifications and dimensions are subject to change without notice.

Installation instructions are available from the product page on [www.foreno.co.nz](http://www.foreno.co.nz)

Foreno Tapware products are in full compliance with the requirements as set out in the New Zealand Building Code: [www.foreno.co.nz/building-code-clauses/](http://www.foreno.co.nz/building-code-clauses/)

This product is not subject to a warning or ban under section 26 of the Building Act 2004.