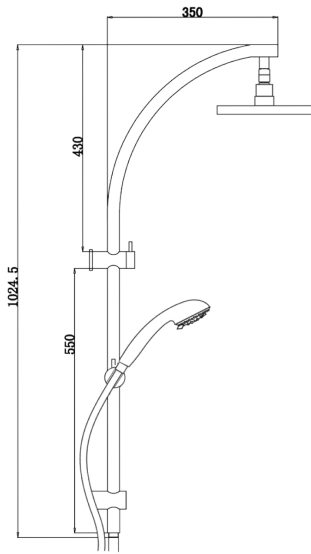


FORENO Round Double Head Shower



PRODUCT CODE

C3-2

COLOUR/FINISHES

Chrome/Grey

PRESSURE TYPE

Mains Pressure only

MIN. PRESSURE

150kPa

MAX. PRESSURE

500kPa (As per NZ Building Code AS/NZ 3500.1)

WELS RATING

Mains 3 Star; 8L/min

MAX. TEMPERATURE

65°C

PLUMBING CONNECTION

Top Bracket Inlet
15mm

WALL FIXINGS

Adjustable lower mount – max 500mm
centers

SHOWER HEAD SIZE

200mm Diameter

HANDPIECE

3 Function

REPLACEMENT PART/S

Shower Head – FORPT137
Trijet Handpiece – FORPT100
Shower Hose – Chrome FORPT12

Specifications and dimensions are subject to change without notice.

Installation instructions are available from the product page on www.foreno.co.nz

Foreno Tapware products are in full compliance with the requirements as set out in the New Zealand Building Code: www.foreno.co.nz/building-code-clauses/

This product is not subject to a warning or ban under section 26 of the Building Act 2004.