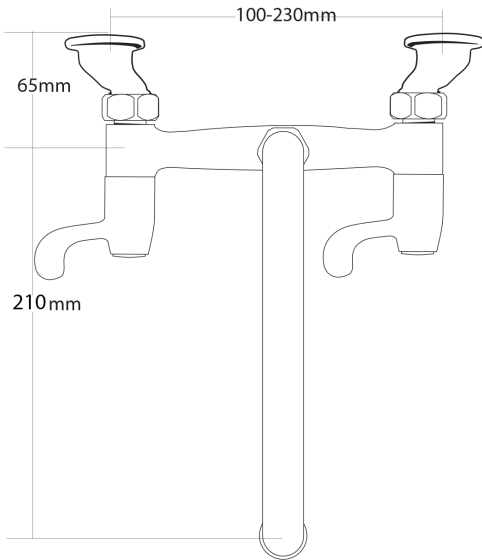


EZYFLO Wall Mounted Sink Faucet



PRODUCT CODE	EZF1
COLOUR/FINISHES	Chrome
PRESSURE TYPE	All Pressures
MIN. PRESSURE	17kPa
MAX. PRESSURE	500kPa (As per NZ Building Code AS/NZ 3500.1)
WELS RATING	Low/Unequal 4 Star; 6.5L/min Mains 3 Star; 8.5L/min
MAX. TEMPERATURE	65°C
PLUMBING CONNECTION	15mm
REPLACEMENT PART/S	Left Turn Ceramic Headwork – FORPT184 Half Turn Ceramic Headworks – FORPT43 FORPT05 – Universal Sink Faucet Spout
WALL FIXINGS	Adjustable Offsets – 100 to 230mm

Specifications and dimensions are subject to change without notice.

Installation instructions are available from the product page on www.foreno.co.nz

Foreno Tapware products are in full compliance with the requirements as set out in the New Zealand Building Code: www.foreno.co.nz/building-code-clauses/

This product is not subject to a warning or ban under section 26 of the Building Act 2004.