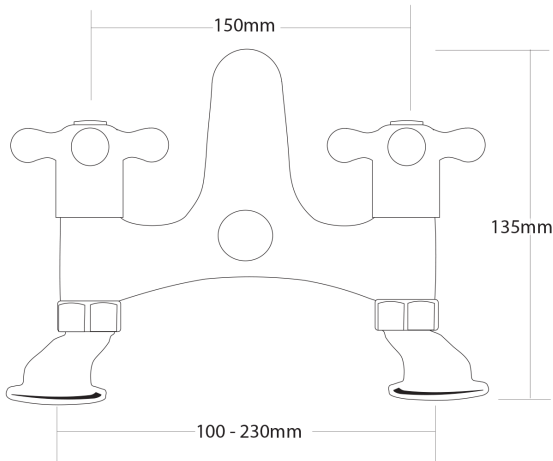


FORENO Diverter Bath Mixer



PRODUCT CODE

FBF5

COLOUR/FINISHES

Chrome

WALL FIXINGS

Adjustable Offsets – 100 to 230mm

PRESSURE TYPE

All Pressures

MIN. PRESSURE

35kPa

MAX. PRESSURE

500kPa (As per NZ Building Code AS/NZ 3500.1)

MAX. TEMPERATURE

65°C

CERTIFICATION

Watermark

PLUMBING CONNECTION

15mm

20mm

REPLACEMENT PART/S

Non Rising Headwork – FORPT65

Cross Top Handle – FORPT64

Specifications and dimensions are subject to change without notice.

Installation instructions are available from the product page on www.foreno.co.nz

Foreno Tapware products are in full compliance with the requirements as set out in the New Zealand Building Code: www.foreno.co.nz/building-code-clauses/

This product is not subject to a warning or ban under section 26 of the Building Act 2004.