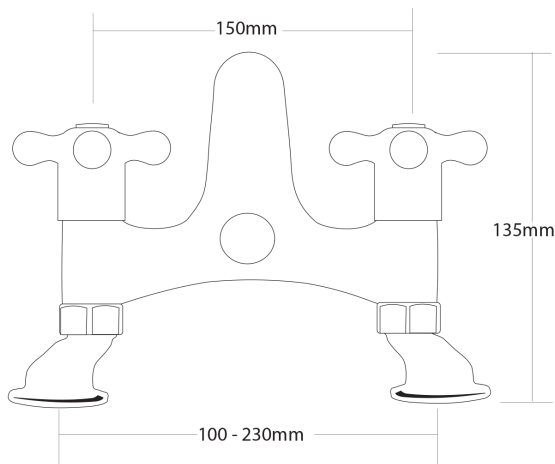


# FORENO Bath Mixer with Diverter Duplex



PRODUCT CODE

**FBF5X**

COLOUR/FINISHES

Chrome

WALL FIXINGS

Adjustable Offsets – 100 to 230mm

PRESSURE TYPE

All Pressures

MIN. PRESSURE

35kPa

MAX. PRESSURE

500kPa (As per NZ Building Code AS/NZ 3500.1)

WELS RATING

Low/Unequal 3 Star; 7L/min  
Mains 3 Star; 8L/min

MAX. TEMPERATURE

65°C

PLUMBING CONNECTION

15mm  
20mm

REPLACEMENT PART/S

Cross Top Handle – FORPT64  
Handpiece – FORPT187  
Headworks – FORPT65  
Shower Hose – Chrome FORPT12  
1/2" Tap Washer – FORPT10 (Pack of 10)  
15mm Offset – FORPT45

Specifications and dimensions are subject to change without notice.

Installation instructions are available from the product page on [www.foreno.co.nz](http://www.foreno.co.nz)

Foreno Tapware products are in full compliance with the requirements as set out in the New Zealand Building Code: [www.foreno.co.nz/building-code-clauses/](http://www.foreno.co.nz/building-code-clauses/)

This product is not subject to a warning or ban under section 26 of the Building Act 2004.