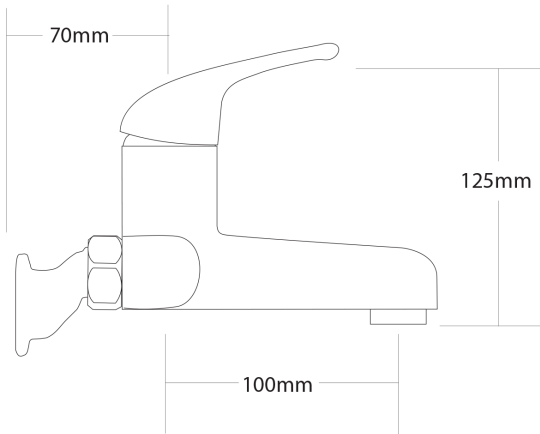


FORENO Bath Mixer



PRODUCT CODE

FBX2

COLOUR/FINISHES

Chrome

PRESSURE TYPE

All Pressures

MIN. PRESSURE

35kPa

MAX. PRESSURE

500kPa (As per NZ Building Code AS/NZ 3500.1)

MAX. TEMPERATURE

65°C

WALL CONNECTION

100mm-230mm Offset Width Adjustment

PLUMBING CONNECTION

15mm
20mm

REPLACEMENT PART/S

Handle – FORPT21

CARTRIDGE TYPE

FORPT22 – 40mm European Ceramic Cartridge

Specifications and dimensions are subject to change without notice.

Installation instructions are available from the product page on www.foreno.co.nz

Foreno Tapware products are in full compliance with the requirements as set out in the New Zealand Building Code: www.foreno.co.nz/building-code-clauses/

This product is not subject to a warning or ban under section 26 of the Building Act 2004.