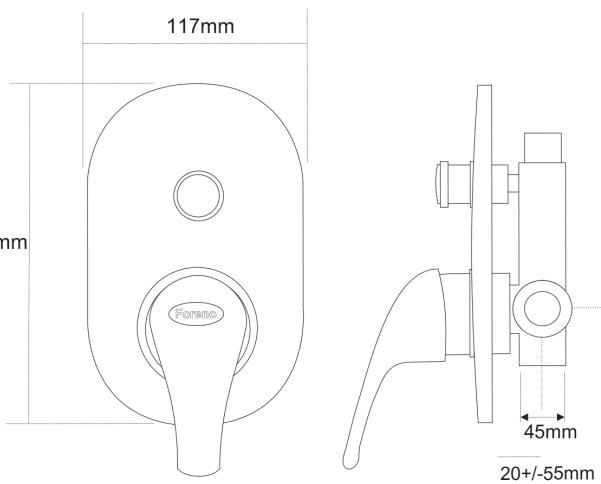


FORENO Diverter Shower Mixer



PRODUCT CODE

FDC7

COLOUR/FINISHES

Chrome

PRESSURE TYPE

Mains Pressure only

MIN. PRESSURE

150kPa

MAX. PRESSURE

500kPa

MAX. TEMPERATURE

65°C

PLUMBING CONNECTION

15mm

FACEPLATE (W X H)

117 x 177 mm

REPLACEMENT PART/S

Mixer Handle – FORPT21

Installation instructions are available from the product page on FORENO.CO.NZ