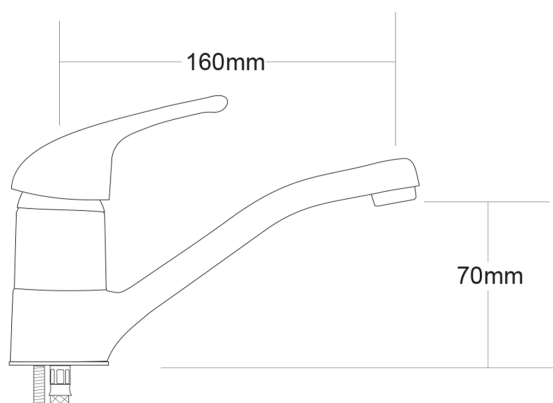


FORENO Swivel Spout Loop Lever Basin Mixer



PRODUCT CODE

FMB2

COLOUR/FINISHES

Chrome

MAX. PRESSURE

500kPa (As per NZ Building Code AS/NZ 3500.1)

WELS RATING

Low/Unequal 2 Star; 11L/min
Mains 4 Star; 7L/min

MAX. TEMPERATURE

65°C

PLUMBING CONNECTION

15mm

REPLACEMENT PART/S

Loop Lever Handle – FORPT56

Specifications and dimensions are subject to change without notice.

Installation instructions are available from the product page on www.foreno.co.nz

Foreno Tapware products are in full compliance with the requirements as set out in the New Zealand Building Code: www.foreno.co.nz/building-code-clauses/

This product is not subject to a warning or ban under section 26 of the Building Act 2004.