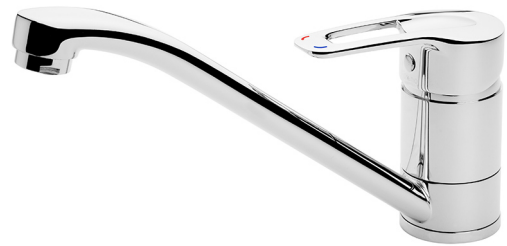
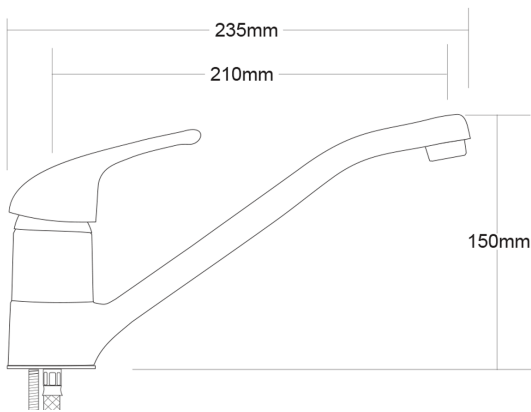


# FORENO Loop Lever Sink Mixer



PRODUCT CODE

**FMX2.1**

COLOUR/FINISHES

Chrome

PRESSURE TYPE

All Pressures

MIN. PRESSURE

35kPa

MAX. PRESSURE

500kPa (As per NZ Building Code AS/NZ 3500.1)

WELS RATING

Mains 4 Star; 7L/min  
Low/Unequal 2 Star; 11L/min

MAX. TEMPERATURE

65°C

PLUMBING CONNECTION

15mm

REPLACEMENT PART/S

Loop Lever Handle – FORPT56

Specifications and dimensions are subject to change without notice.

Installation instructions are available from the product page on [www.foreno.co.nz](http://www.foreno.co.nz)

Foreno Tapware products are in full compliance with the requirements as set out in the New Zealand Building Code: [www.foreno.co.nz/building-code-clauses/](http://www.foreno.co.nz/building-code-clauses/)

This product is not subject to a warning or ban under section 26 of the Building Act 2004.