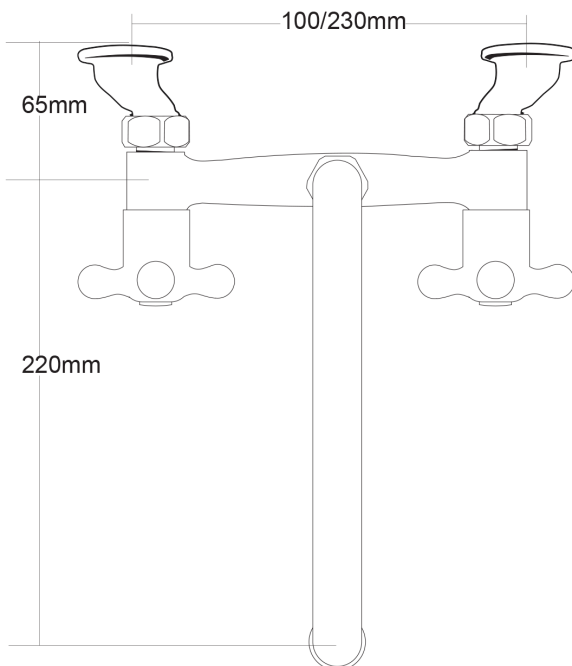


# FORENO Sink Faucet



PRODUCT CODE	<b>FSF4</b>
COLOUR/FINISHES	Chrome
MAX. PRESSURE	500kPa
WELS RATING	Low/Unequal 4 Star; 7L/min Mains 3 Star; 8.5L/min
MAX. TEMPERATURE	65°C
HEADWORKS	Half Turn Standard
PLUMBING CONNECTION	15mm
CERTIFICATION	Watermark
REPLACEMENT PART/S	Handle – FORPT64 Headworks Half Turn Ceramic – FORPT43 Headworks Standard – FORPT65

Installation instructions are available from the product page on [FORENO.CO.NZ](http://FORENO.CO.NZ)