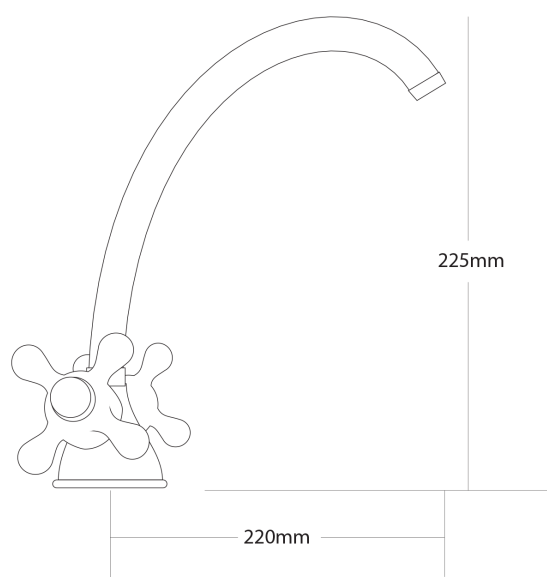


FORENO Single Hole Sink Faucet - Obsolete



PRODUCT CODE	FSF9
COLOUR/FINISHES	Chrome
MAX. PRESSURE	500kPa (As per NZ Building Code AS/NZ 3500.1)
WELS RATING	Low/Unequal 4 Star; 7L/min Mains 3 Star; 8.5L/min
MAX. TEMPERATURE	65°C
HEADWORKS	Half Turn Standard
PLUMBING CONNECTION	15mm
REPLACEMENT PART/S	Non Rising Headwork – FORPT65 Half Turn Ceramic Headworks – FORPT43 Cast Spout – FORPT198
CERTIFICATION	Watermark

Specifications and dimensions are subject to change without notice.

Installation instructions are available from the product page on www.foreno.co.nz

Foreno Tapware products are in full compliance with the requirements as set out in the New Zealand Building Code: www.foreno.co.nz/building-code-clauses/

This product is not subject to a warning or ban under section 26 of the Building Act 2004.