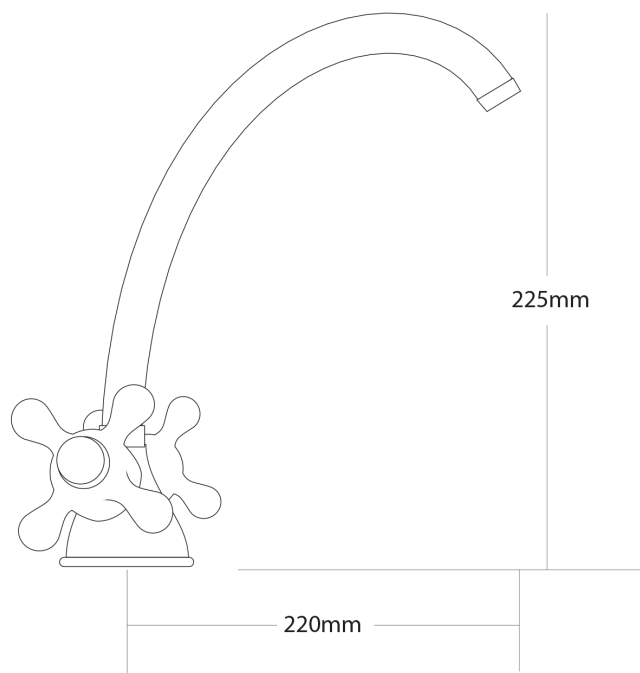


FORENO Single Hole Sink Faucet



PRODUCT CODE

FSF9

COLOUR/FINISHES

Chrome

MAX. PRESSURE

500kPa

WELS RATING

Low/Unequal 4 Star; 7L/min
Mains 3 Star; 8.5L/min

MAX. TEMPERATURE

65°C

HEADWORKS

Half Turn
Standard

PLUMBING CONNECTION

15mm

CERTIFICATION

Watermark

Installation instructions are available from the product page on FORENO.CO.NZ