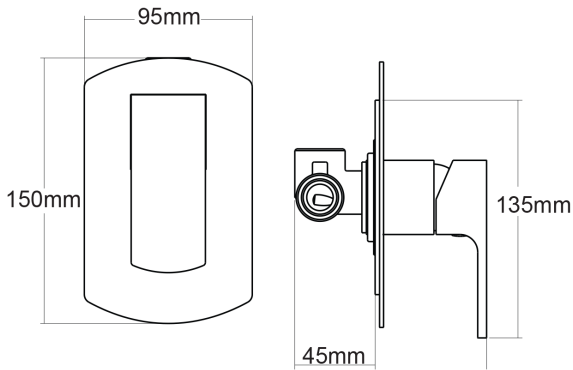


# FUSION Shower Mixer



|                     |   |
|---------------------|---|
| PRODUCT CODE        | <b>FSN3</b>                                   |
| COLOUR/FINISHES     | Chrome  |
| PRESSURE TYPE       | Mains Pressure only                           |
| MIN. PRESSURE       | 150kPa  |
| MAX. PRESSURE       | 500kPa (As per NZ Building Code AS/NZ 3500.1) |
| MAX. TEMPERATURE    | 65°C  |
| PLUMBING CONNECTION | 15mm  |
| FACEPLATE (W X H)   | 95 x 150 mm                                   |

Specifications and dimensions are subject to change without notice.

Installation instructions are available from the product page on [www.foreno.co.nz](http://www.foreno.co.nz)

Foreno Tapware products are in full compliance with the requirements as set out in the New Zealand Building Code: [www.foreno.co.nz/building-code-clauses/](http://www.foreno.co.nz/building-code-clauses/)

This product is not subject to a warning or ban under section 26 of the Building Act 2004.