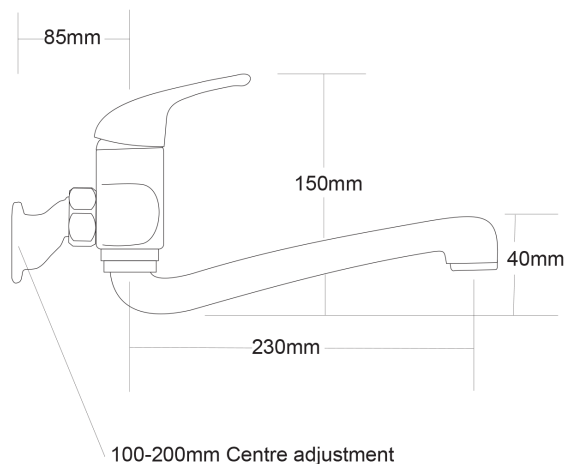


FORENO Wall Mounted Loop Lever Sink Mixer



PRODUCT CODE	FSX2
COLOUR/FINISHES	Chrome
MIN. PRESSURE	35kPa
MAX. PRESSURE	500kPa (As per NZ Building Code AS/NZ 3500.1)
WELS RATING	Low/Unequal 5 Star; 6L/min Mains 5 Star; 6.5L/min
MAX. TEMPERATURE	65°C
PLUMBING CONNECTION	15mm
REPLACEMENT PART/S	Loop Lever Handle – FORPT56 Cartridge – 40mm FORPT22 FSX2 Spout – FORPT193

Specifications and dimensions are subject to change without notice.

Installation instructions are available from the product page on www.foreno.co.nz

Foreno Tapware products are in full compliance with the requirements as set out in the New Zealand Building Code: www.foreno.co.nz/building-code-clauses/

This product is not subject to a warning or ban under section 26 of the Building Act 2004.