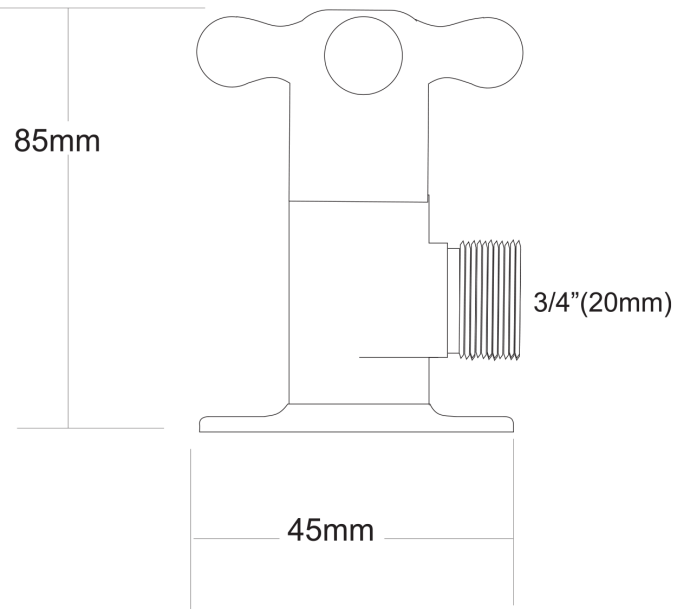


FORENO Washing Machine Taps



PRODUCT CODE

FWM3

COLOUR/FINISHES

Chrome

MAX. PRESSURE

500kPa

MAX. TEMPERATURE

65°C

PLUMBING CONNECTION

15mm

REPLACEMENT PART/S

FORPT64

FORPT65

Installation instructions are available from the product page on FORENO.CO.NZ