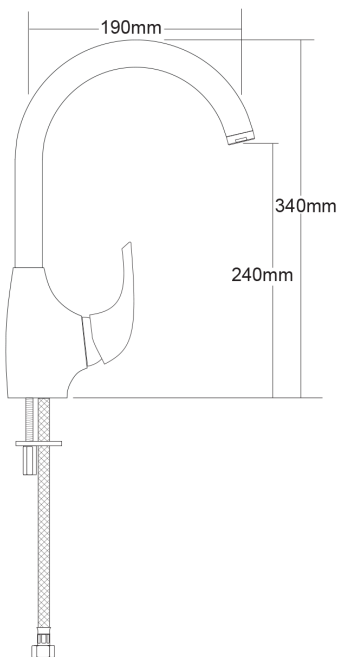


# MANA Gooseneck Sink Mixer



PRODUCT CODE

**MN01G**

COLOUR/FINISHES

Matte Black  
**Chrome**

PRESSURE TYPE

All Pressures

MIN. PRESSURE

35kPa

MAX. PRESSURE

500kPa

WELS RATING

Low/Unequal 3 Star; 8L/min  
Mains 4 Star; 7L/min

MAX. TEMPERATURE

65°C

BENCH HOLE SIZE

35mm

PLUMBING CONNECTION

15mm

CERTIFICATION

Watermark

Installation instructions are available from the product page on [FORENO.CO.NZ](https://foreno.co.nz)