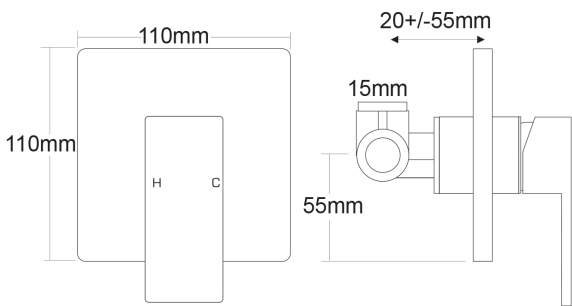


# MURO Shower Mixer



PRODUCT CODE

**MUR030**

COLOUR/FINISHES

Chrome

PRESSURE TYPE

All Pressures

MAX. PRESSURE

500kPa (As per NZ Building Code AS/NZ 3500.1)

MAX. TEMPERATURE

65°C

PLUMBING CONNECTION

15mm

CERTIFICATION

Watermark

FACEPLATE (W X H)

110 x 110 mm

REPLACEMENT PART/S

Shower Mixer Lever Handle – FORPT210

Specifications and dimensions are subject to change without notice.

Installation instructions are available from the product page on [www.foreno.co.nz](http://www.foreno.co.nz)

Foreno Tapware products are in full compliance with the requirements as set out in the New Zealand Building Code: [www.foreno.co.nz/building-code-clauses/](http://www.foreno.co.nz/building-code-clauses/)

This product is not subject to a warning or ban under section 26 of the Building Act 2004.