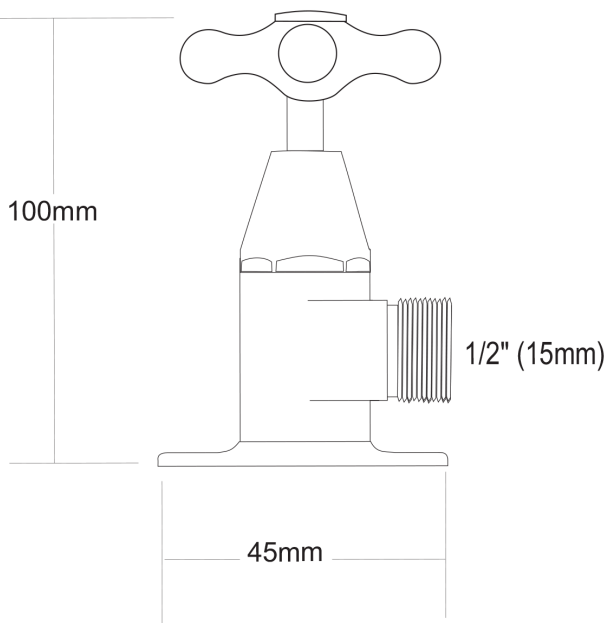


# NEOCLASSIC Cistern Tap



PRODUCT CODE

**NAS2**

COLOUR/FINISHES

Chrome

PRESSURE TYPE

All Pressures

MIN. PRESSURE

17kPa

MAX. PRESSURE

500kPa

MAX. TEMPERATURE

65°C

PLUMBING CONNECTION

15mm

Installation instructions are available from the product page on [FORENO.CO.NZ](http://FORENO.CO.NZ)