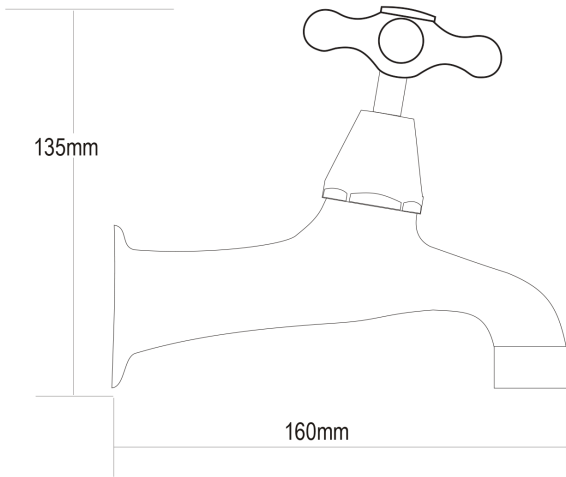


NEOCLASSIC Sink Taps



PRODUCT CODE

NEB1A

COLOUR/FINISHES

Chrome

PRESSURE TYPE

All Pressures

MIN. PRESSURE

17kPa

MAX. PRESSURE

500kPa (As per NZ Building Code AS/NZ 3500.1)

WELS RATING

Low/Unequal 4 Star; 6.5L/min
Mains 3 Star; 8.5L/min

MAX. TEMPERATURE

65°C

HEADWORKS

Standard

PLUMBING CONNECTION

15mm

REPLACEMENT PART/S

Neoclassic Handle – FORPT91
Headworks Standard – FORPT65

Specifications and dimensions are subject to change without notice.

Installation instructions are available from the product page on www.foreno.co.nz

Foreno Tapware products are in full compliance with the requirements as set out in the New Zealand Building Code: www.foreno.co.nz/building-code-clauses/

This product is not subject to a warning or ban under section 26 of the Building Act 2004.