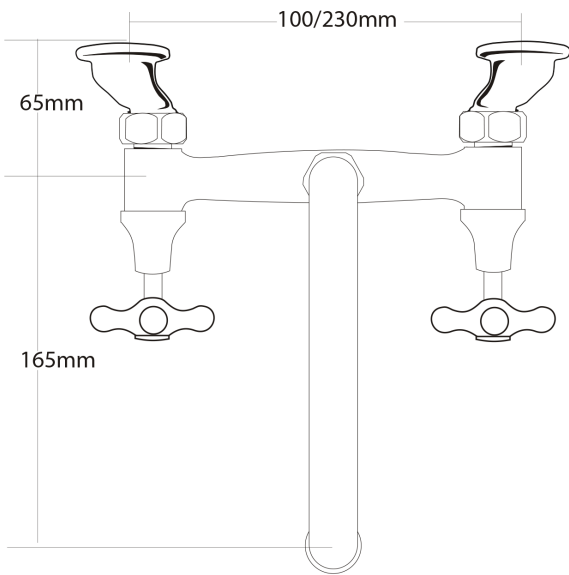


# NEOCLASSIC Sink Faucet



PRODUCT CODE	<b>NSF4</b>
COLOUR/FINISHES	Chrome
PRESSURE TYPE	All Pressures
MIN. PRESSURE	17kPa
MAX. PRESSURE	500kPa (As per NZ Building Code AS/NZ 3500.1)
WELS RATING	Low/Unequal 4 Star; 7L/min Mains 3 Star; 9L/min
MAX. TEMPERATURE	65°C
HEADWORKS	Half Turn Standard
PLUMBING CONNECTION	15mm
REPLACEMENT PART/S	Neoclassic Handle – FORPT91 Headworks Standard – FORPT65 Headworks Half Turn Ceramic – FORPT43
WALL FIXINGS	Adjustable Offsets – 100 to 230mm

Specifications and dimensions are subject to change without notice.

Installation instructions are available from the product page on [www.foreno.co.nz](http://www.foreno.co.nz)

Foreno Tapware products are in full compliance with the requirements as set out in the New Zealand Building Code: [www.foreno.co.nz/building-code-clauses/](http://www.foreno.co.nz/building-code-clauses/)

This product is not subject to a warning or ban under section 26 of the Building Act 2004.