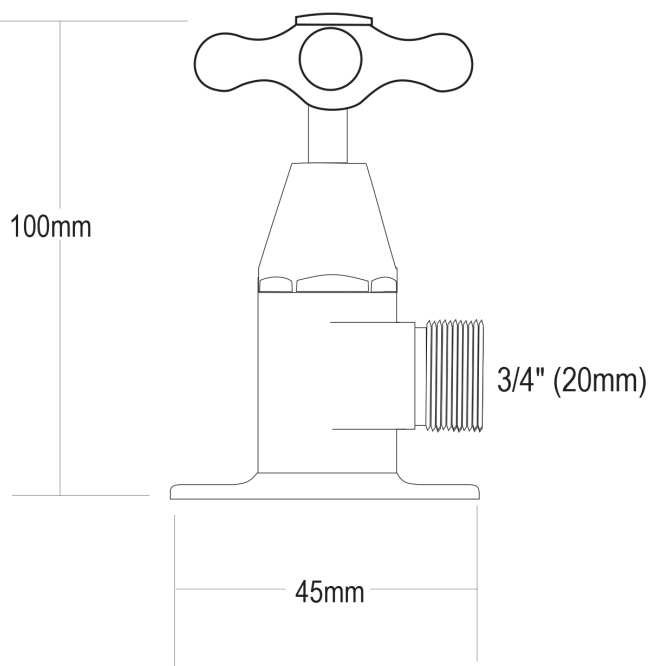


NEOCLASSIC Washing Machine Taps



PRODUCT CODE

NWM3

COLOUR/FINISHES

Chrome

PRESSURE TYPE

All Pressures

MIN. PRESSURE

17kPa

MAX. PRESSURE

500kPa

MAX. TEMPERATURE

65°C

PLUMBING CONNECTION

15mm

Installation instructions are available from the product page on FORENO.CO.NZ