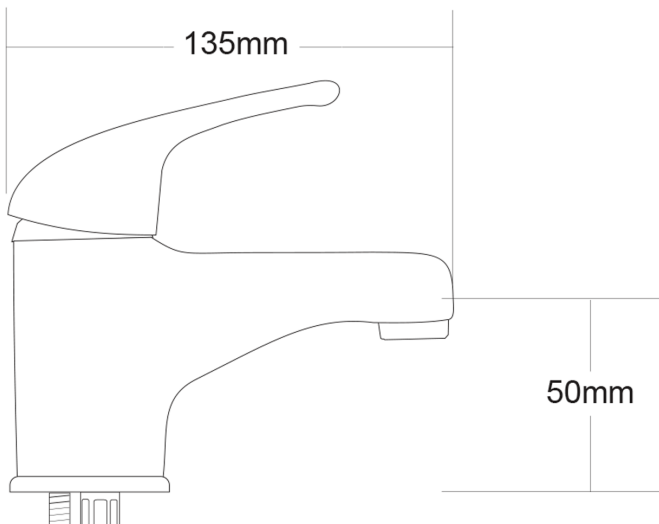


# PRIMUS Basin Mixer



PRODUCT CODE

**PMB5**

COLOUR/FINISHES

Chrome

PRESSURE TYPE

All Pressures

MIN. PRESSURE

35kPa

MAX. PRESSURE

500kPa

WELS RATING

Low/Unequal 4 Star; 7.5L/min  
Mains 3 Star; 8L/min

MAX. TEMPERATURE

65°C

PLUMBING CONNECTION

15mm

Installation instructions are available from the product page on [FORENO.CO.NZ](http://FORENO.CO.NZ)