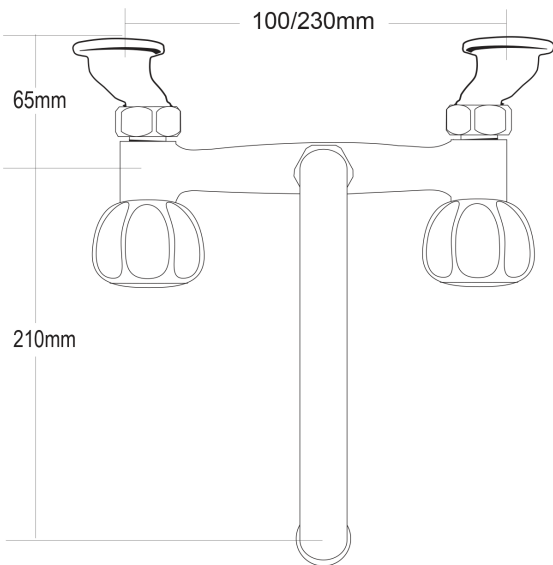


# PRIMUS Sink Faucet



PRODUCT CODE

**PSF4**

COLOUR/FINISHES

Chrome

PRESSURE TYPE

All Pressures

MIN. PRESSURE

17kPa

MAX. PRESSURE

500kPa (As per NZ Building Code AS/NZ 3500.1)

WELS RATING

Low/Unequal 4 Star; 7L/min  
Mains 3 Star; 9L/min

MAX. TEMPERATURE

65°C

PLUMBING CONNECTION

15mm

REPLACEMENT PART/S

Non Rising Headwork – FORPT65  
FORPT05 – Universal Sink Faucet Spout  
Primus Handle – FORPT42  
15mm Offset – FORPT45

WALL FIXINGS

Adjustable Offsets – 100 to 230mm

PRODUCT WARRANTY

10 Year Labour & Replacement or Parts  
Warranty

Specifications and dimensions are subject to change without notice.

Installation instructions are available from the product page on [www.foreno.co.nz](http://www.foreno.co.nz)

Foreno Tapware products are in full compliance with the requirements as set out in the New Zealand Building Code: [www.foreno.co.nz/building-code-clauses/](http://www.foreno.co.nz/building-code-clauses/)

This product is not subject to a warning or ban under section 26 of the Building Act 2004.