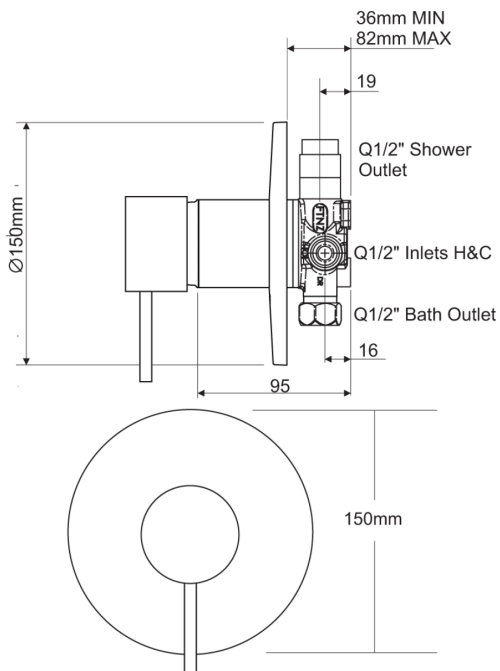


PURITY Minimal Equaliser Shower Mixer



PRODUCT CODE

PUR033

COLOUR/FINISHES

Brushed Stainless Steel

PRESSURE TYPE

All Pressures

MIN. PRESSURE

17kPa

MAX. PRESSURE

500kPa

MAX. TEMPERATURE

65°C

PLUMBING CONNECTION

15mm

FACEPLATE DIAMETER

150mm

REPLACEMENT PART/S

Equaliser Shower Mixer Cartridge 45mm
- FORPT80

Installation instructions are available from the product page on FORENO.CO.NZ