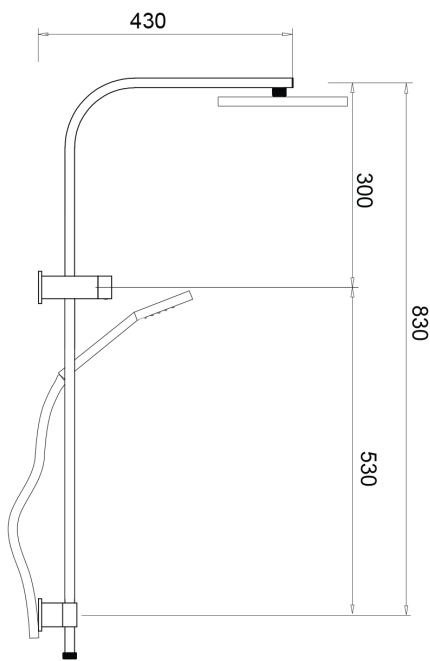


BLACK EDITION Double Head Slide Shower



PRODUCT CODE

SBK041

COLOUR/FINISHES

Matte Black

PRESSURE TYPE

Mains Pressure only

MIN. PRESSURE

150kPa

MAX. PRESSURE

500kPa

WELS RATING

Mains 3 Star; 8L/min

MAX. TEMPERATURE

65°C

PLUMBING CONNECTION

Top Bracket Inlet
15mm

Installation instructions are available from the product page on [FORENO.CO.NZ](https://foreno.co.nz)