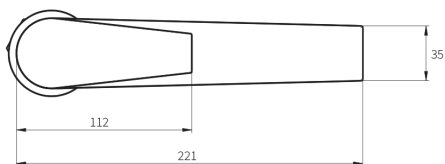
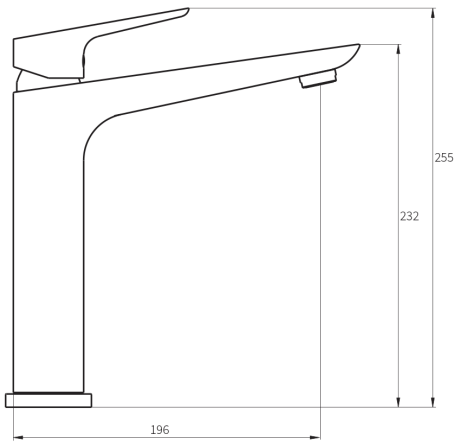


SOLITAIRE Sink Mixer



PRODUCT CODE

SLT012

COLOUR/FINISHES

Black/Chrome
White/Chrome
Mirrored Black (PVD)
Chrome

PRESSURE TYPE

All Pressures

MIN. PRESSURE

35kPa

MAX. PRESSURE

500kPa

WELS RATING

Low/Unequal 5 Star; 6L/min
Mains 3 Star; 8L/min

MAX. TEMPERATURE

65°C

PLUMBING CONNECTION

15mm

BENCH HOLE SIZE

35mm

CERTIFICATION

Watermark

Installation instructions are available from the product page on FORENO.CO.NZ