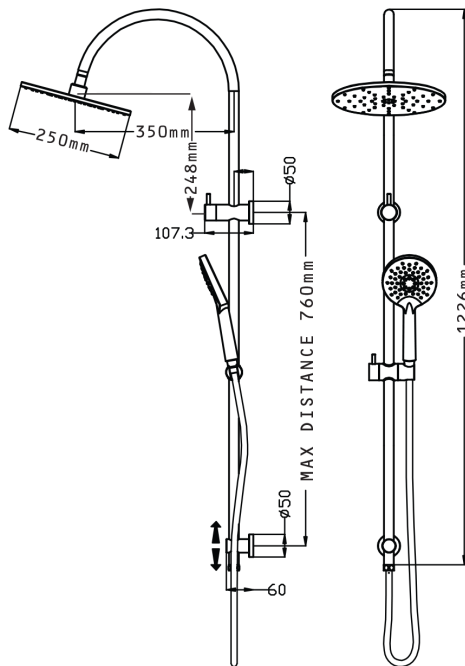


SOLITAIRE Double Head Shower



PRODUCT CODE

SLT73RMB

COLOUR/FINISHES

Matte Black
Mirrored Black (PVD)
Chrome

PRESSURE TYPE

Mains Pressure only

MIN. PRESSURE

150kPa

MAX. PRESSURE

500kPa

WELS RATING

Mains 3 Star; 8.5L/min

MAX. TEMPERATURE

65°C

PLUMBING CONNECTION

Top Bracket Inlet
15mm

WALL FIXINGS

Adjustable lower fixing
max 760mm centres

Installation instructions are available from the product page on FORENO.CO.NZ