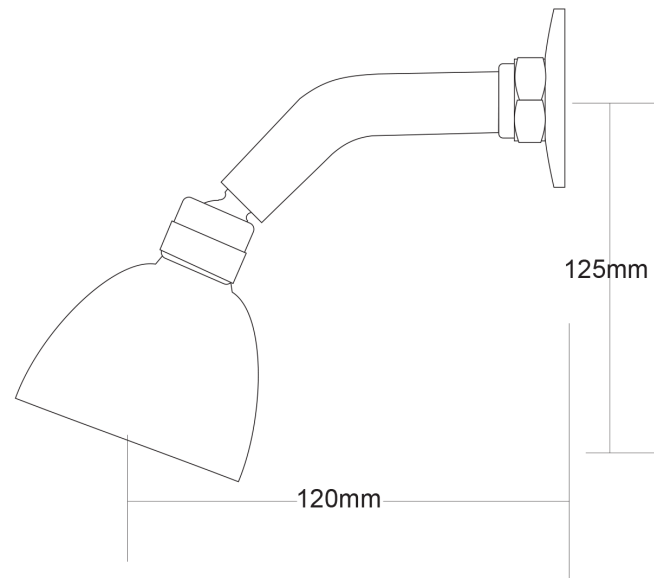


FORENO Single Function Shower Rose



PRODUCT CODE

SR110

COLOUR/FINISHES

Chrome/Grey

PRESSURE TYPE

All Pressures

MIN. PRESSURE

35kPa

MAX. PRESSURE

600kPa

WELS RATING

Low/Unequal 3 Star; 7L/min
Mains 3 Star; 7L/min

MAX. TEMPERATURE

65°C

PLUMBING CONNECTION

15mm

Installation instructions are available from the product page on FORENO.CO.NZ