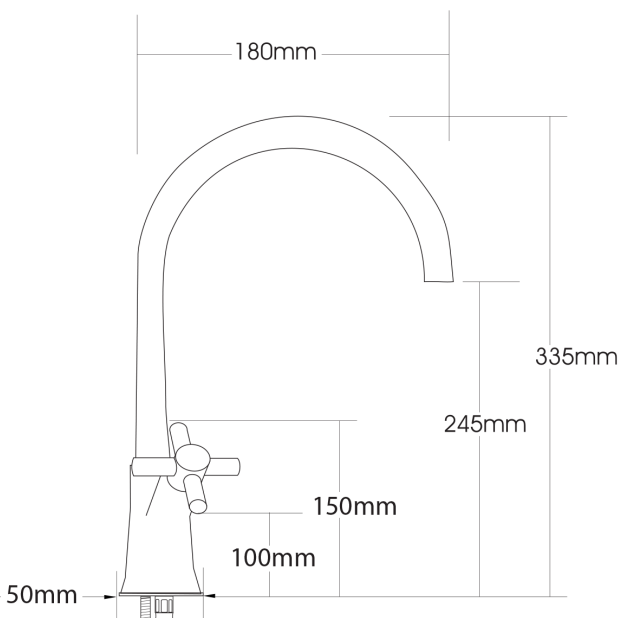


# X-FACTOR Sink Mixer



PRODUCT CODE

**XFAC1**

COLOUR/FINISHES

Chrome

PRESSURE TYPE

All Pressures

MIN. PRESSURE

17kPa

MAX. PRESSURE

500kPa

WELS RATING

Low/Unequal 5 Star; 6L/min  
Mains 3 Star; 8L/min

MAX. TEMPERATURE

65°C

PLUMBING CONNECTION

15mm

CERTIFICATION

Watermark

Installation instructions are available from the product page on [FORENO.CO.NZ](http://FORENO.CO.NZ)