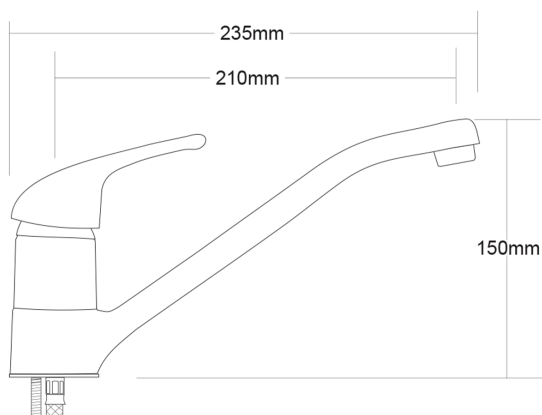


EQUALISER Sink Mixer



PRODUCT CODE	EQMX1.1
COLOUR/FINISHES	Chrome
PRESSURE TYPE	All Pressures
MIN. PRESSURE	17kPa
MAX. PRESSURE	500kPa (As per NZ Building Code AS/NZ 3500.1)
WELS RATING	Low/Unequal 2 Star; 10.5L/min Mains 4 Star; 6.5L/min
MAX. TEMPERATURE	65°C
PLUMBING CONNECTION	15mm
CARTRIDGE TYPE	FORPT158 – HiFlo 40mm Cartridge
REPLACEMENT PART/S	Handle – FORPT21 Spout Seal Kit – FORPT191

Specifications and dimensions are subject to change without notice.

Installation instructions are available from the product page on www.foreno.co.nz

Foreno Tapware products are in full compliance with the requirements as set out in the New Zealand Building Code: www.foreno.co.nz/building-code-clauses/

This product is not subject to a warning or ban under section 26 of the Building Act 2004.