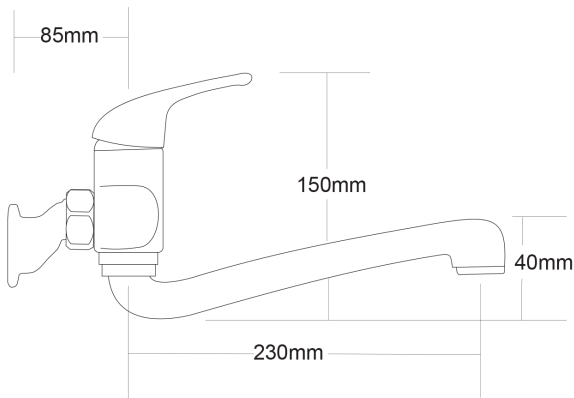


TRADELINE Sink Mixer



| | |
|---------------------|--|
| PRODUCT CODE | TL10 |
| COLOUR/FINISHES | Chrome |
| PRESSURE TYPE | All Pressures |
| MIN. PRESSURE | 17kPa |
| MAX. PRESSURE | 500kPa (As per NZ Building Code AS/NZ 3500.1) |
| WELS RATING | Mains 4 Star; 6.5L/min Low/Unequal 5 Star; 6.5L/min |
| MAX. TEMPERATURE | 65°C |
| PLUMBING CONNECTION | 15mm |
| EXCLUSIVE TO | Mitre 10 |
| REPLACEMENT PART/S | Spout – FORPT193 |

Specifications and dimensions are subject to change without notice.

Installation instructions are available from the product page on www.foreno.co.nz

Foreno Tapware products are in full compliance with the requirements as set out in the New Zealand Building Code: www.foreno.co.nz/building-code-clauses/

This product is not subject to a warning or ban under section 26 of the Building Act 2004.