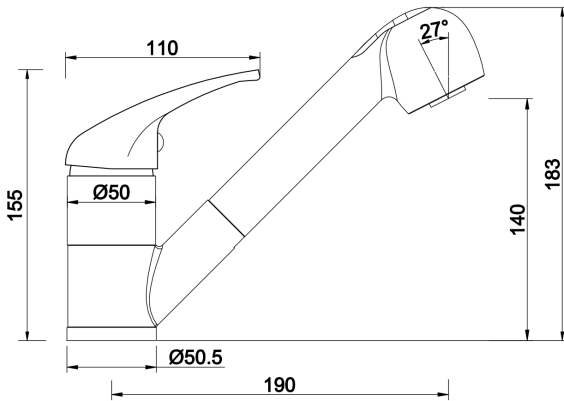


ESPREE Extractable Sink Mixer



PRODUCT CODE

EP400

COLOUR/FINISHES

Chrome

PRESSURE TYPE

Mains Pressure only

MIN. PRESSURE

150kPa

MAX. PRESSURE

500kPa (As per NZ Building Code AS/NZ 3500.1)

WELS RATING

Mains 4 Star; 7L/min

MAX. TEMPERATURE

65°C

PLUMBING CONNECTION

15mm

EXCLUSIVE TO

Bunnings Warehouse

CERTIFICATION

Watermark

REPLACEMENT PART/S

Nylon Pullout Spray Mixer Hose – FORPT219
Spray Handpiece – FORPT24

Specifications and dimensions are subject to change without notice.

Installation instructions are available from the product page on www.foreno.co.nz

Foreno Tapware products are in full compliance with the requirements as set out in the New Zealand Building Code: www.foreno.co.nz/building-code-clauses/

This product is not subject to a warning or ban under section 26 of the Building Act 2004.