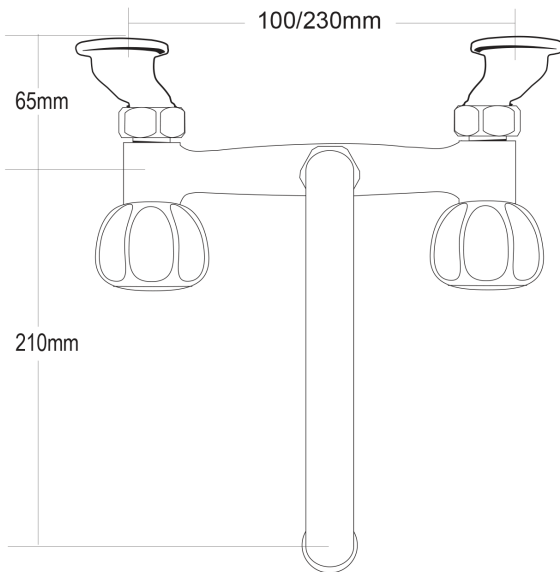


ESPREE Sink Faucet



PRODUCT CODE

ET130

COLOUR/FINISHES

Chrome

PRESSURE TYPE

All Pressures

MIN. PRESSURE

17kPa

MAX. PRESSURE

500kPa (As per NZ Building Code AS/NZ 3500.1)

WELS RATING

Low/Unequal 4 Star; 7L/min
Mains 3 Star; 9L/min

MAX. TEMPERATURE

65°C

PLUMBING CONNECTION

15mm

EXCLUSIVE TO

Bunnings Warehouse

CERTIFICATION

Watermark

WALL FIXINGS

Adjustable Offsets – 100 to 230mm

REPLACEMENT PART/S

Clear Polycarbonate Handle – FORPT03
Non Rising Headwork – FORPT65
FORPT05 – Universal Sink Faucet Spout
15mm Offset – FORPT45

Specifications and dimensions are subject to change without notice.

Installation instructions are available from the product page on www.foreno.co.nz

Foreno Tapware products are in full compliance with the requirements as set out in the New Zealand Building Code: www.foreno.co.nz/building-code-clauses/

This product is not subject to a warning or ban under section 26 of the Building Act 2004.