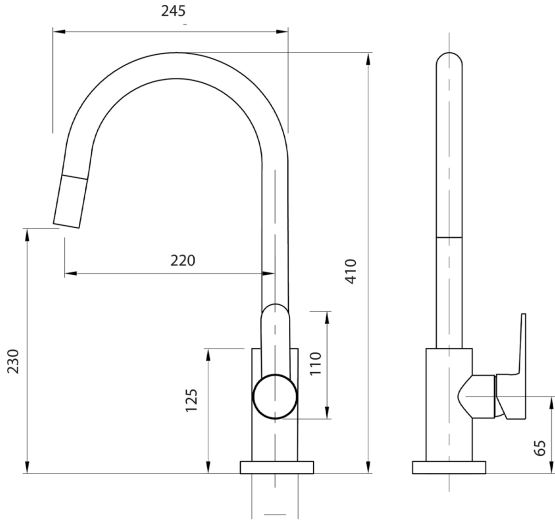


PURITY Gooseneck Pulldown Sink Mixer - Cold Start



PRODUCT CODE

PUR013

FEATURES

Cold Start Technology

COLOUR/FINISHES

Brushed Stainless Steel

PRESSURE TYPE

Mains Pressure only

MIN. PRESSURE

150kPa

MAX. PRESSURE

500kPa (As per NZ Building Code AS/NZ 3500.1)

WELS RATING

Mains 4 Star; 6L/min

MAX. TEMPERATURE

65°C

PLUMBING CONNECTION

15mm

BENCH HOLE SIZE

35mm

REPLACEMENT PART/S

FORPT231 – 35mm ColdStart Cartridge
FORPT240 – Black Nylon Pull-Out Hose

EXCLUSIVE TO

Mitre 10

Specifications and dimensions are subject to change without notice.

Installation instructions are available from the product page on www.foreno.co.nz

Foreno Tapware products are in full compliance with the requirements as set out in the New Zealand Building Code: www.foreno.co.nz/building-code-clauses/

This product is not subject to a warning or ban under section 26 of the Building Act 2004.