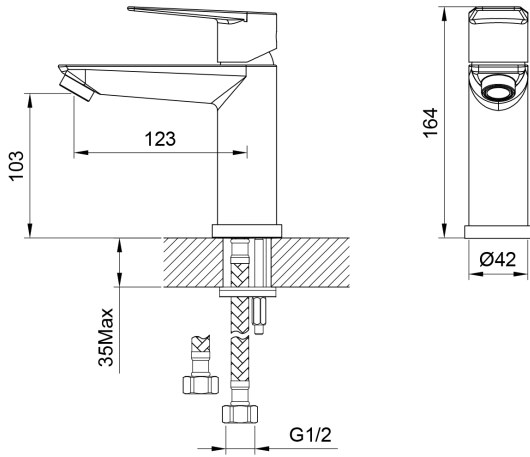


VIENNA Basin Mixer



PRODUCT CODE

VNA20CH

COLOUR/FINISHES

Brushed Gunmetal (PVD)
Matte Black
Chrome

PRESSURE TYPE

All Pressures

MIN. PRESSURE

35kPa

MAX. PRESSURE

500kPa (As per NZ Building Code AS/NZ 3500.1)

WELS RATING

Low/Unequal 3 Star; 8.5L/min
Mains 4 Star; 7.5L/min

MAX. TEMPERATURE

65°C

PLUMBING CONNECTION

15mm

BENCH HOLE SIZE

35mm

CARTRIDGE TYPE

European Ceramic Cartridge

SPOUT TYPE

Fixed

EXCLUSIVE TO

Bunnings Warehouse

Specifications and dimensions are subject to change without notice.

Installation instructions are available from the product page on www.foreno.co.nz

Foreno Tapware products are in full compliance with the requirements as set out in the New Zealand Building Code: www.foreno.co.nz/building-code-clauses/

This product is not subject to a warning or ban under section 26 of the Building Act 2004.