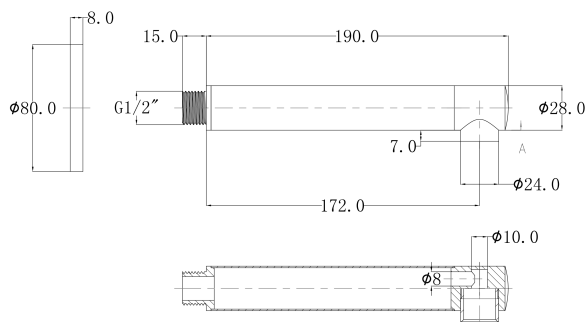


LE TAP MINIMO II Bath Spout



PRODUCT CODE

LTM91CH

COLOUR/FINISHES

Matte Black
Chrome

PRESSURE TYPE

All Pressures

MIN. PRESSURE

35kPa

MAX. PRESSURE

500kPa (As per NZ Building Code AS/NZ
3500.1)

MAX. TEMPERATURE

65°C

PLUMBING CONNECTION

15mm

SPOUT REACH

172mm

EXCLUSIVE TO

Mitre 10

Specifications and dimensions are subject to change without notice.

Installation instructions are available from the product page on www.foreno.co.nz

Foreno Tapware products are in full compliance with the requirements as set out in the New Zealand Building Code: www.foreno.co.nz/building-code-clauses/

This product is not subject to a warning or ban under section 26 of the Building Act 2004.