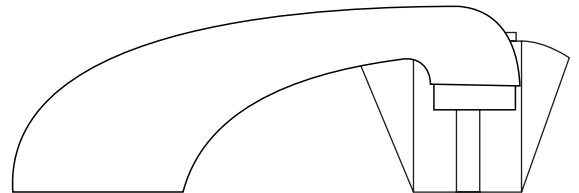
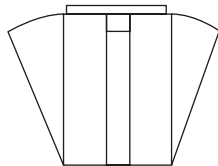




FORENO.

ROULETTE Basin Faucet Chrome EBF3



Congratulations on your purchase of this high quality product from Foreno Tapware.
Please read the following before installation and retain (along with your receipt) for future reference.

TECHNICAL SPECIFICATIONS

Suitable for All Pressures

Minimum Pressure = 17kPa

Maximum operating Pressure = 500kPa

Maximum operating Temperature = 65 deg. Celsius

For domestic use only.

CONFIGURATION

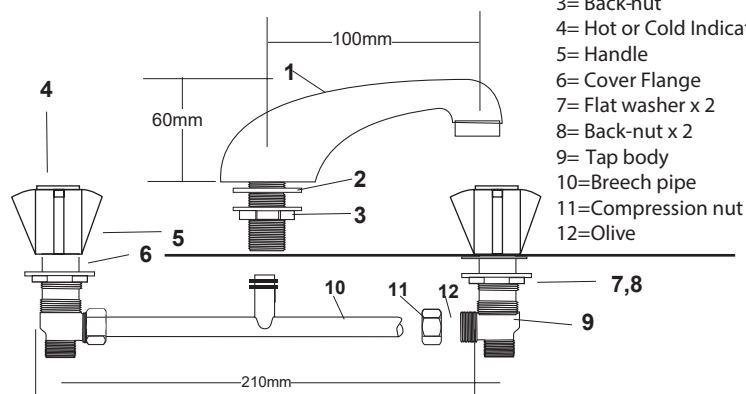
Mains Pressure systems Install as supplied.

Unequal Low Systems Install as supplied.

Equal Low systems Install as supplied.

Key Components

- 1= Basin Spout
- 2= Flat washer
- 3= Back-nut
- 4= Hot or Cold Indicator
- 5= Handle
- 6= Cover Flange
- 7= Flat washer x 2
- 8= Back-nut x 2
- 9= Tap body
- 10=Breach pipe
- 11=Compression nut
- 12=Olive



INSTALLATION

FOR PRESSURES EXCEEDING 500KPA INSTALL A PRESSURE REDUCING VALVE. THOROUGHLY FLUSH ALL PIPES TO ELIMINATE ANY REMAINING DIRT AND RESIDUE, AND INSTALL INLINE FILTERS. FAILURE TO DO SO MAY VOID THE WARRANTY.

- A 30mm hole is required for each tap body and 24mm hole for the spout spigot. The tap bodies may be spaced at between 150mm & 210mm hole centres. Cut the breach pipe (see diagram, item 10) to the correct size.
- Fit and adjust the tap body back nuts so that the breach pipe spigot enters the spout nipple by a minimum of 10mm.
- Fit both tap bodies complete with breach pipe one of two plates and black mounting seal, to vanity top.
- Fit second black mounting washer, plate and holding nut to each tap body on top of bench. NB: The tap body retaining nuts allow for 18-30mm bench thickness.
- Once bodies are secured to vanity top, fit cover flanges and handles.

ATTACH PROOF OF PURCHASE HERE

- Fit the centre spout with a bead of silicone sealant spread around inner lip of mounting flange.
- Spout base spigot slides on to breech pipe nipple. Fit opaque flat washer (item 2) and flanged backnut (item 3) underneath.
- Tighten nipple compression fittings.
- Connect to plumbing.
- Turn on water supply. Check for leaks.

WARRANTY

Please refer to our website for warranty information: www.foreno.co.nz/warranty

In the unlikely event that this product fails during its warranty period, phone our Customer Service team immediately on 0508 FORENO (0508 367 366) – as unauthorised removal of the product may void the warranty.

CARE AND MAINTENANCE

SHOULD NOT BE CLEANED WITH ASTRINGENT, ABRASIVE OR CITRIC CLEANERS.

A soft, damp cloth is recommended for cleaning. Mild soap solutions can also be used on occasion.

PROUD PARTNER AND SUPPORTER OF MASTER PLUMBERS, GASFITTERS AND DRAINLAYERS

