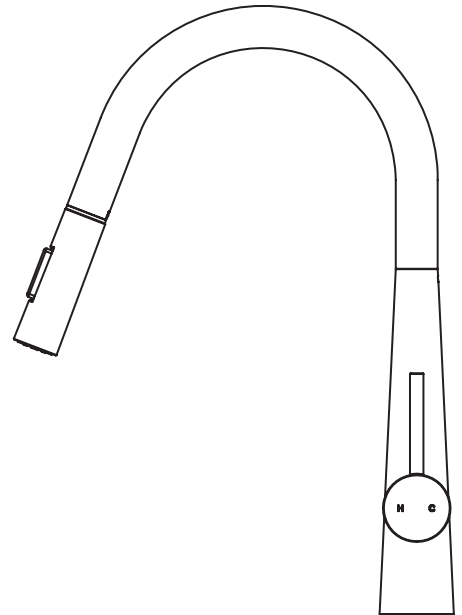




FORENO.

E-STEEL Gooseneck Pulldown Sink Mixer Brushed Nickel (PVD) ESS13SS



Congratulations on your purchase of this high quality product from Foreno Tapware.
Please read the following before installation and retain (along with your receipt) for future reference.

TECHNICAL SPECIFICATIONS

Suitable for Mains Pressure only

Minimum Pressure = 150kPa

Maximum operating Pressure = 500kPa

Maximum operating Temperature = 65 deg. Celsius

For domestic use only.

CONFIGURATION

Mains Pressure systems Install as supplied.

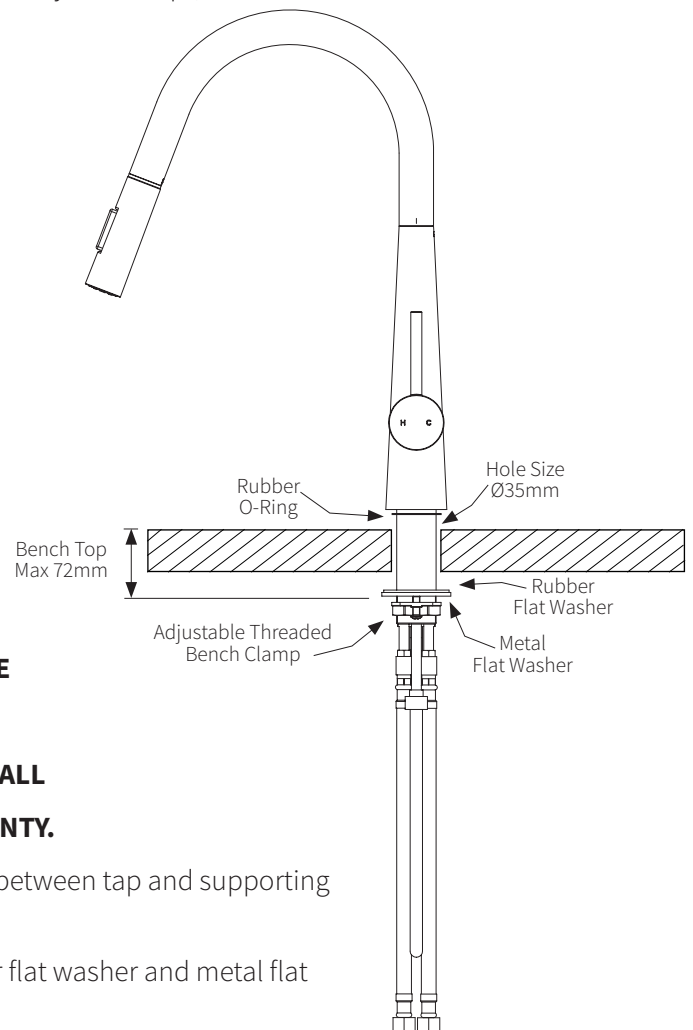
Unequal Low Systems Not suitable.

Equal Low systems Not suitable.

INSTALLATION

FOR PRESSURES EXCEEDING 500kPa INSTALL A PRESSURE REDUCING VALVE. THOROUGHLY FLUSH ALL PIPES TO ELIMINATE ANY REMAINING DIRT AND RESIDUE, AND INSTALL INLINE FILTERS. FAILURE TO DO SO MAY VOID THE WARRANTY.

- Position tap in 35mm hole, making sure the rubber o-ring between tap and supporting surface is in place.
- Anchor to bench using threaded bench clamp, with rubber flat washer and metal flat washer between bench and clamp.
- Thoroughly flush all pipes to eliminate any remaining dirt and residue and install inline filters.
- Connect supply hoses to plumbing connections. **NB: Maximum bend for flexible hose is 35mm radius. Do not stretch, crush or twist hoses. Do not swage hose ends.**
- Turn on water supply. Check for leaks.



ATTACH PROOF OF PURCHASE HERE

WARRANTY

PLEASE CALL US BEFORE REMOVING TAPWARE OR UNDERTAKING ANY REPAIR WORK.

Please refer to our website for warranty information: www.foreno.co.nz/warranty

In the unlikely event that this product fails during its warranty period, phone our Customer Service team immediately on 0508 FORENO (0508 367 366) – as unauthorised removal of the product may void the warranty.

CARE AND MAINTENANCE

SHOULD NOT BE CLEANED WITH ASTRINGENT, ABRASIVE OR CITRIC CLEANERS.

A soft, damp cloth is recommended for cleaning. Mild soap solutions can also be used on occasion.

PROUD PARTNER AND SUPPORTER OF MASTER PLUMBERS, GASFITTERS AND DRAINLAYERS

