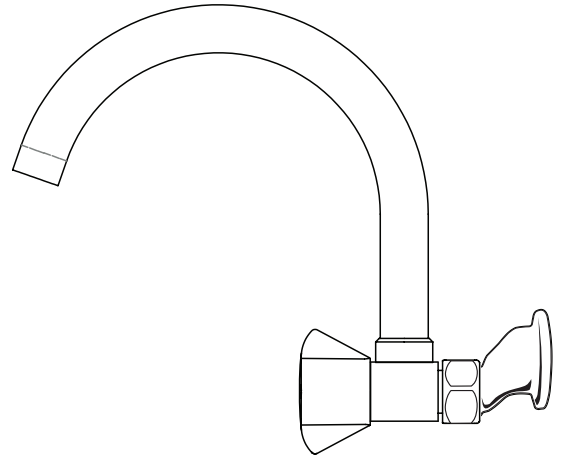


# FORENO.

TAPWARE MADE FOR NEW ZEALAND since 1969

## ESPREE Sink Faucet Chrome ET131LFCH



Congratulations on your purchase of this high quality product from Foreno Tapware.  
Please read the following before installation and retain (along with your receipt) for future reference.

### TECHNICAL SPECIFICATIONS

#### Suitable for All Pressures

Minimum Pressure = 17kPa

Maximum operating Pressure = 500kPa\*

(As per NZ Building Code AS/NZ 3500)

Maximum operating Temperature = 65 deg. Celsius

For domestic use only.

### CONFIGURATION

Mains Pressure systems Remove the aerator insert from the housing and change to the mains pressure insert supplied. See diagram.

Unequal Low Systems Install as supplied.

Equal Low systems Install as supplied.

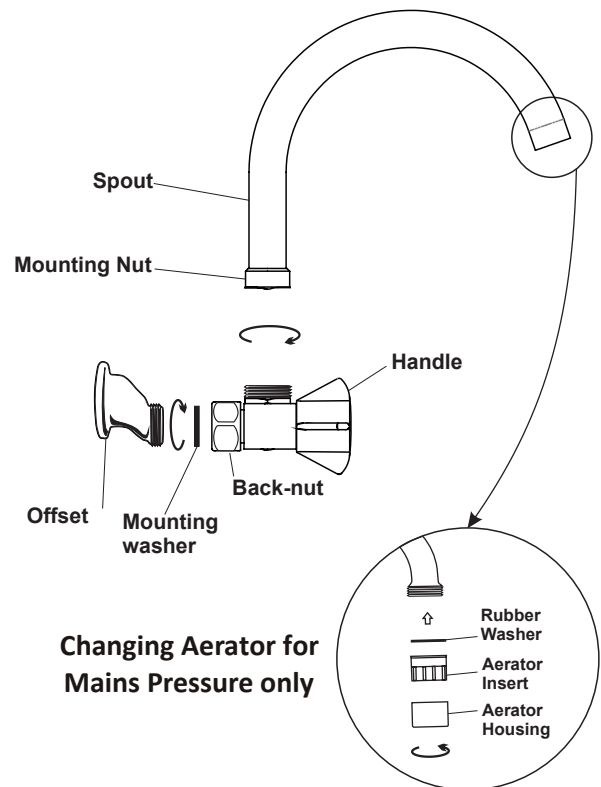
### INSTALLATION

**\*FOR PRESSURES EXCEEDING 500kPa INSTALL A PRESSURE REDUCING VALVE. THOROUGHLY FLUSH ALL PIPES TO ELIMINATE ANY REMAINING DIRT AND RESIDUE, AND INSTALL INLINE FILTERS. FAILURE TO DO SO MAY VOID THE WARRANTY. TO BE INSTALLED AS PER THE REQUIREMENTS WITH AS/NZS 3500.**

Fit offsets and body to wall mounted wing backs and adjust width to match the faucet body back-nuts.

**NB: It is essential to apply either Teflon sealing tape or graphite & hemp around the screwed tube prior to installation.**

- Fit mounting washers to the faucet body back-nuts and hand-tighten back-nuts on to offsets. NB: Do not over-tighten, only a quarter-turn with a wrench is required. Cover nuts with cloth to avoid scratching. No thread tape is required on the external offset thread within the coupling.



ATTACH PROOF OF PURCHASE HERE

- Fit the centre spout. Ensure the black mounting seal is contained within the coupling nut. Hand-tighten the spout coupling nut on to the faucet body outlet thread. Tweak a further quarter turn with adjustable spanner, covering the chrome surface with cloth to prevent scratching.
- Turn on water supply. Check for leaks.

#### WARRANTY

#### **PLEASE CALL US BEFORE REMOVING TAPWARE OR UNDERTAKING ANY REPAIR WORK.**

Please refer to our website for warranty information: [www.foreno.co.nz/warranty](http://www.foreno.co.nz/warranty)

In the unlikely event that this product fails during its warranty period, phone our Customer Service team immediately on 0508 FORENO (0508 367 366) – as unauthorised removal of the product may void the warranty.

#### CARE AND MAINTENANCE

#### **SHOULD NOT BE CLEANED WITH ACIDIC, CAUSTIC/ALKALINE, ABRASIVE OR CITRIC CLEANERS.**

A soft, damp cloth is recommended for cleaning (Not a Micro fibre cloth). Mild soap solutions can also be used on occasion.

PROUD PARTNER AND SUPPORTER OF MASTER PLUMBERS, GASFITTERS AND DRAINLAYERS

