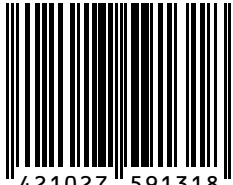
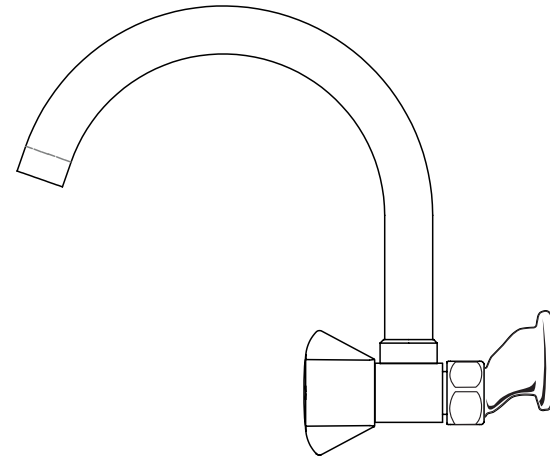




Roulette 15mm Sink Faucet ET131



9 421027 591318



Congratulations on your purchase of this high quality product from Foreno Tapware. Please read the following before installation and retain (along with your receipt) for future reference.

TECHNICAL SPECIFICATIONS

Suitable for All Pressures

Minimum Pressure = 17kPa

Maximum operating Pressure = 500kPa

Maximum operating Temperature = 65 deg. Celsius

For domestic use only.

CONFIGURATION

Mains Pressure systems Remove the aerator insert from the housing and change to the mains pressure insert supplied. See diagram.

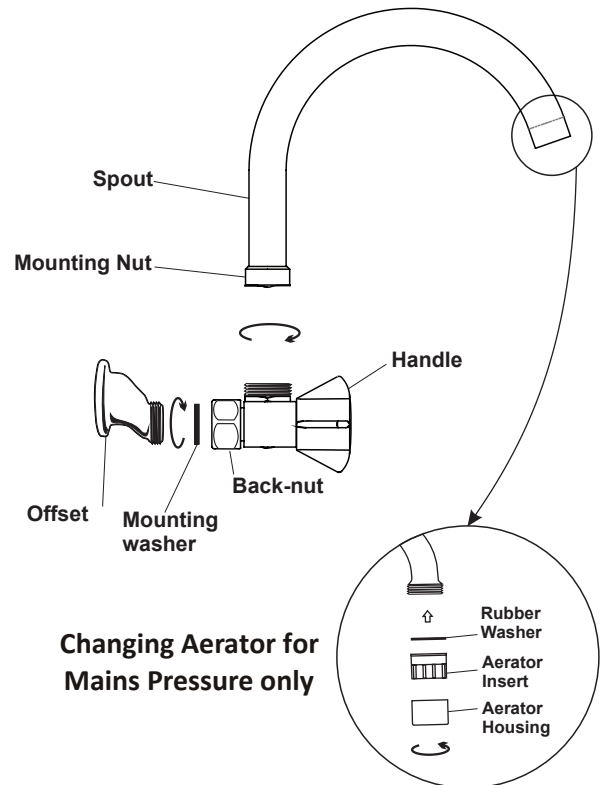
Unequal Low Systems Install as supplied.

Equal Low systems Install as supplied.

INSTALLATION

For pressures exceeding 500kPa install a pressure reducing valve. Failure to do so may void the warranty.

- Fit offsets and body to wall mounted wing backs and adjust width to match the faucet body back-nuts. NB: It is essential to apply either Teflon sealing tape or graphite & hemp around the screwed tube prior to installation.
- Fit mounting washers to the faucet body back-nuts and tighten back-nuts on to offsets. NB: Do not over-tighten - no thread tape is required.
- Fit the centre spout. Push spout on faucet body. Be careful not to push past split collar. Mounting nut to be tightened down with adjustable spanner.



ATTACH PROOF OF PURCHASE HERE

- Turn on mains supply. Check for leaks

WARRANTY

Please refer to our website for warranty information: www.foreno.co.nz/warranty

In the unlikely event that this product fails during its warranty period, phone our Customer Service team immediately on 0508 FORENO (0508 367 366) – as unauthorised removal of the product may void the warranty.

CARE AND MAINTENANCE

Chrome-plated finishes should not be cleaned with astringent, abrasive or citric cleaners.

A soft, damp cloth is recommended for cleaning. Mild soap solutions can also be used on occasion.

PROUD PARTNER AND SUPPORTER OF MASTER PLUMBERS, GASFITTERS AND DRAINLAYERS

