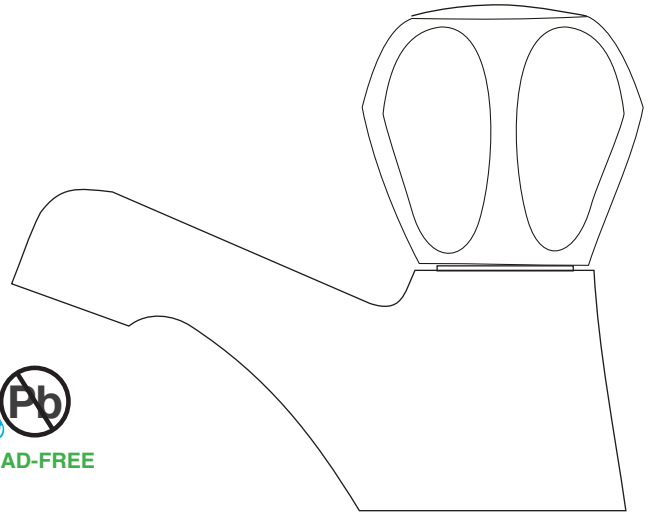


# FORENO.

TAPWARE MADE FOR NEW ZEALAND since 1969

## ESPREE TRADE Basin Taps Chrome ET200LFCH



Congratulations on your purchase of this high quality product from Foreno Tapware.  
Please read the following before installation and retain (along with your receipt) for future reference.

### TECHNICAL SPECIFICATIONS

#### Suitable for All Pressures

Minimum Pressure = 17kPa

Maximum operating Pressure = 500kPa\* (As per NZ Building Code AS/NZ 3500)

Maximum operating Temperature = 65 deg. Celsius

For domestic use only.

### CONFIGURATION

Mains Pressure systems Insert the valve from the mains pressure pack.

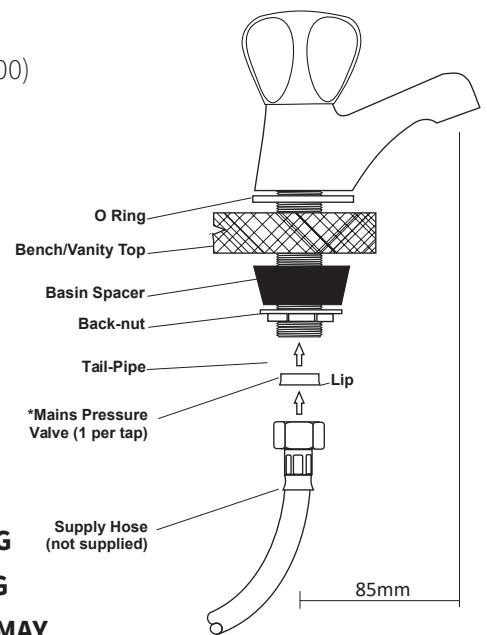
Unequal Low Systems Install as supplied.

Equal Low systems Install as supplied.

### INSTALLATION

**\*FOR PRESSURES EXCEEDING 500kPa INSTALL A PRESSURE REDUCING VALVE. THOROUGHLY FLUSH ALL PIPES TO ELIMINATE ANY REMAINING DIRT AND RESIDUE, AND INSTALL INLINE FILTERS. FAILURE TO DO SO MAY VOID THE WARRANTY. TO BE INSTALLED AS PER THE REQUIREMENTS WITH AS/NZS 3500.**

- Drill a minimum 25mm hole within the vanity top.
- Remove back-nut and basin spacer.
- Mount tap with o-ring in base groove.
- Fit basin spacer underneath and tighten on back-nut.
- Connect to plumbing.
- Turn on water supply. Check for leaks.



ATTACH PROOF OF PURCHASE HERE

#### WARRANTY

**PLEASE CALL US BEFORE REMOVING TAPWARE OR UNDERTAKING ANY REPAIR WORK.**

Please refer to our website for warranty information: [www.foreno.co.nz/warranty](http://www.foreno.co.nz/warranty)

In the unlikely event that this product fails during its warranty period, phone our Customer Service team immediately on 0508 FORENO (0508 367 366) – as unauthorised removal of the product may void the warranty.

#### CARE AND MAINTENANCE

**SHOULD NOT BE CLEANED WITH ACIDIC, CAUSTIC/ALKALINE, ABRASIVE OR CITRIC CLEANERS.**

A soft, damp cloth is recommended for cleaning (Not a Micro fibre cloth). Mild soap solutions can also be used on occasion.

See FORENO. website for full care instructions: [www.foreno.co.nz/tapware-care-instructions/](http://www.foreno.co.nz/tapware-care-instructions/)

PROUD PARTNER AND SUPPORTER OF MASTER PLUMBERS, GASFITTERS AND DRAINLAYERS

