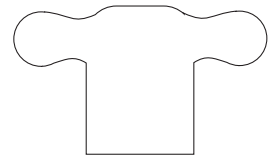
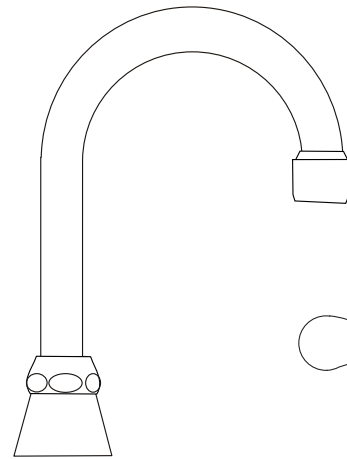
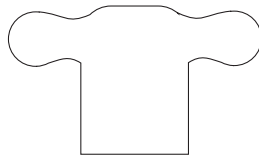




FORENO.

Foreno Gooseneck Basin Faucet FBF4S



Congratulations on your purchase of this high quality product from Foreno Tapware.
Please read the following before installation and retain (along with your receipt) for future reference.

TECHNICAL SPECIFICATIONS

Suitable for All Pressures

Minimum Pressure = 17kPa

Maximum operating Pressure = 500kPa

Maximum operating Temperature = 65 deg. Celsius

For domestic use only.

CONFIGURATION

Mains Pressure systems Change aerator to mains (supplied).

Unequal Low Systems Install as supplied.

Equal Low systems Install as supplied.

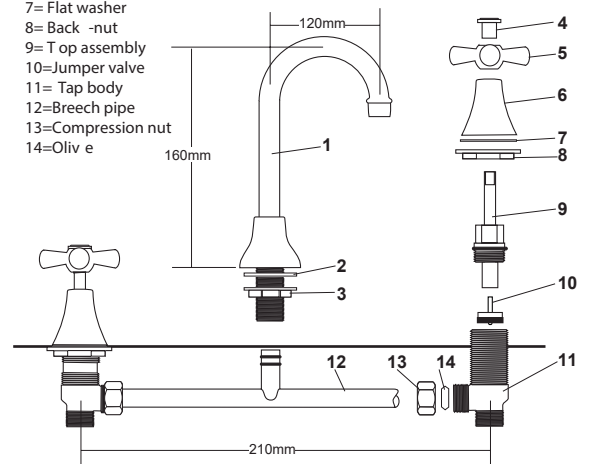
INSTALLATION

FOR PRESSURES EXCEEDING 500KPA INSTALL A PRESSURE REDUCING VALVE. THOROUGHLY FLUSH ALL PIPES TO ELIMINATE ANY REMAINING DIRT AND RESIDUE, AND INSTALL INLINE FILTERS. FAILURE TO DO SO MAY VOID THE WARRANTY.

- 30mm holes are required for each tap body and 24mm hole for the spout spigot. NB: The vanity top thickness must not exceed 22mm.
- The tap bodies may be spaced at between 150mm & 210mm hole centres.
- Once the holes are drilled, wind the back-nuts (see diagram, item 8) back on the tap bodies to allow for a minimum 4 thread protrusion above the vanity top.
- Cut the breach pipe (item 12) to the correct size.
- Fit the centre spout with a bead of silicone sealant spread around inner lip of mounting flange.
- Fit flat washer (item 2) on the top and flanged back-nut (item 3) underneath then tighten.
- Fit the breach pipe to the tap bodies and push the centre spigot into the spout tail and the tap bodies into the drilled holes.

Key Component s

- 1= Basin Spout
- 2= Flat washer
- 3= Back -nut
- 4= Hot or Cold Indicator
- 5= Handle
- 6= Flange
- 7= Flat washer
- 8= Back -nut
- 9= T op assembly
- 10=Jumper valve
- 11= Tap body
- 12=Breach pipe
- 13=Compression nut
- 14=Oliv e



ATTACH PROOF OF PURCHASE HERE

- Place the mounting washers and flanges on the tap bodies and tighten down.
- Tighten compression nut and olive (items 13 & 14) on either end of the breech pipe.
- Place handles on and screw on Indicator nuts (item 4). NB: This mixer has been configured to perform on low pressure. If you have mains pressure system, change aerator to the WELs rated one supplied.
- Turn on water supply. Check for leaks.

WARRANTY

PLEASE CALL US BEFORE REMOVING TAPWARE OR UNDERTAKING ANY REPAIR WORK.

Please refer to our website for warranty information: www.foreno.co.nz/warranty

In the unlikely event that this product fails during its warranty period, phone our Customer Service team immediately on 0508 FORENO (0508 367 366) – as unauthorised removal of the product may void the warranty.

CARE AND MAINTENANCE

SHOULD NOT BE CLEANED WITH ASTRINGENT, ABRASIVE OR CITRIC CLEANERS.

A soft, damp cloth is recommended for cleaning. Mild soap solutions can also be used on occasion.

PROUD PARTNER AND SUPPORTER OF MASTER PLUMBERS, GASFITTERS AND DRAINLAYERS

