

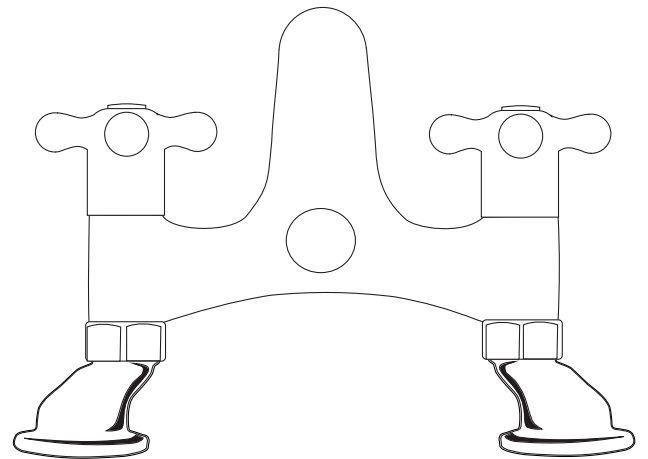
# FORENO.

TAPWARE MADE FOR NEW ZEALAND since 1969

## FORENO

### Diverter Bath Mixer

#### FBF5



Congratulations on your purchase of this high quality product from Foreno Tapware.  
Please read the following before installation and retain (along with your receipt) for future reference.

#### TECHNICAL SPECIFICATIONS

##### Suitable for All Pressures

Minimum Pressure = 35kPa

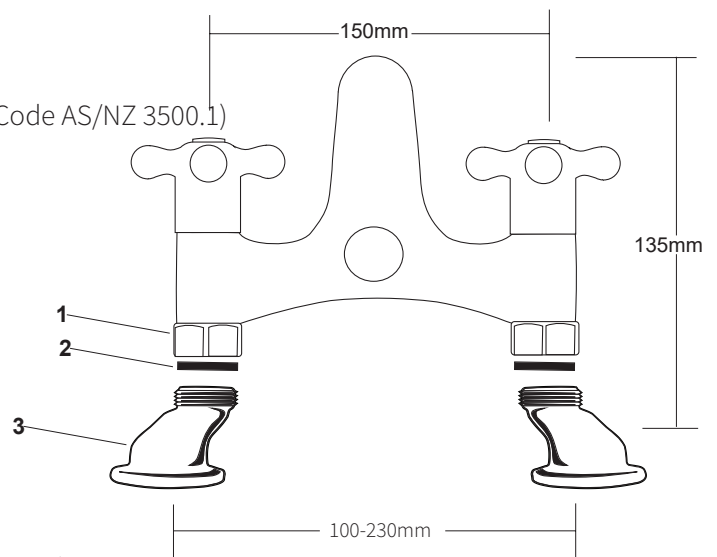
Maximum operating Pressure = 500kPa\* (As per NZ Building Code AS/NZ 3500.1)

Maximum operating Temperature = 65 deg. Celsius

For domestic use only.

#### CONFIGURATION

- |                        |   |
|------------------------|---|
| Mains Pressure systems | Remove the valve from the cold offset side.                                       |
| Unequal Low Systems    | The offset containing the regulator valve should be installed on the cold supply. |
| Equal Low systems      | Remove the valve from the cold offset side.                                       |



**Key Components**  
1=Back-nut  
2=Mounting washer  
3=Offset

#### INSTALLATION

**\*FOR PRESSURES EXCEEDING 500kPa INSTALL A PRESSURE REDUCING VALVE. THOROUGHLY FLUSH ALL PIPES TO ELIMINATE ANY REMAINING DIRT AND RESIDUE, AND INSTALL INLINE FILTERS. FAILURE TO DO SO MAY VOID THE WARRANTY.**

- Once the bridging nipple has been cut to length and fitted to the in-wall wing-backs, wind thread tape around the protruding spigot until the thread pitch is barely raised.
- Screw on offsets (item 3) and adjust width to match the faucet body back-nuts (item 1).
- Fit mounting washers (item 2) to the faucet body back-nuts (item 1) and tighten back-nuts on to offsets. NB: Do not over-tighten - no thread tape is required.
- Turn on water supply. Check for leaks.

ATTACH PROOF OF PURCHASE HERE

### USING THE DIVERTER

The Diverter knob must be lifted up and **twisted** to lock the diverter in place.

The diverter will not remain up automatically. It should then be twisted again to release.

### WARRANTY

#### **PLEASE CALL US BEFORE REMOVING TAPWARE OR UNDERTAKING ANY REPAIR WORK.**

Please refer to our website for warranty information: [www.foreno.co.nz/warranty](http://www.foreno.co.nz/warranty)

In the unlikely event that this product fails during its warranty period, phone our Customer Service team immediately on 0508 FORENO (0508 367 366) – as unauthorised removal of the product may void the warranty.

### CARE AND MAINTENANCE

#### **SHOULD NOT BE CLEANED WITH ACIDIC, CAUSTIC/ALKALINE, ABRASIVE OR CITRIC CLEANERS.**

A soft, damp cloth is recommended for cleaning (Not a Micro fibre cloth). Mild soap solutions can also be used on occasion.

PROUD PARTNER AND SUPPORTER OF MASTER PLUMBERS, GASFITTERS AND DRAINLAYERS

