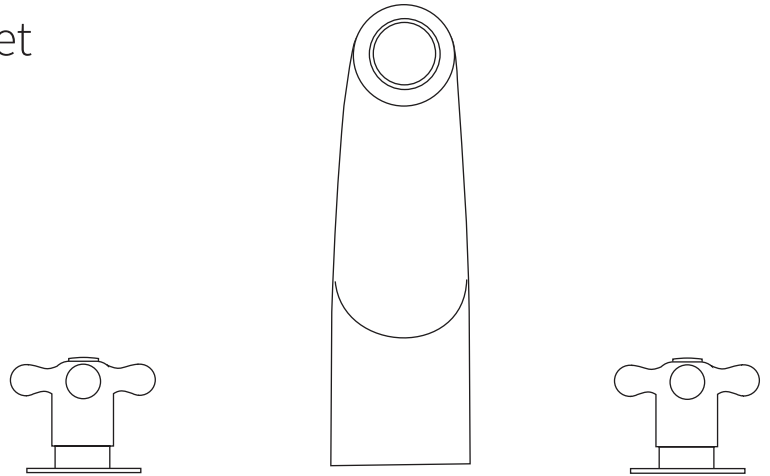




# FORENO.

## FORENO Concealed Bath Faucet Chrome FBF6



Congratulations on your purchase of this high quality product from Foreno Tapware.  
Please read the following before installation and retain (along with your receipt) for future reference.

### TECHNICAL SPECIFICATIONS

#### Suitable for All Pressures

Minimum Pressure = 35kPa

Maximum operating Pressure = 500kPa\*

Maximum operating Temperature = 65 deg. Celsius

For domestic use only.

### CONFIGURATION

Mains Pressure systems Install as supplied.

Unequal Low Systems Install as supplied.

Equal Low systems Install as supplied.

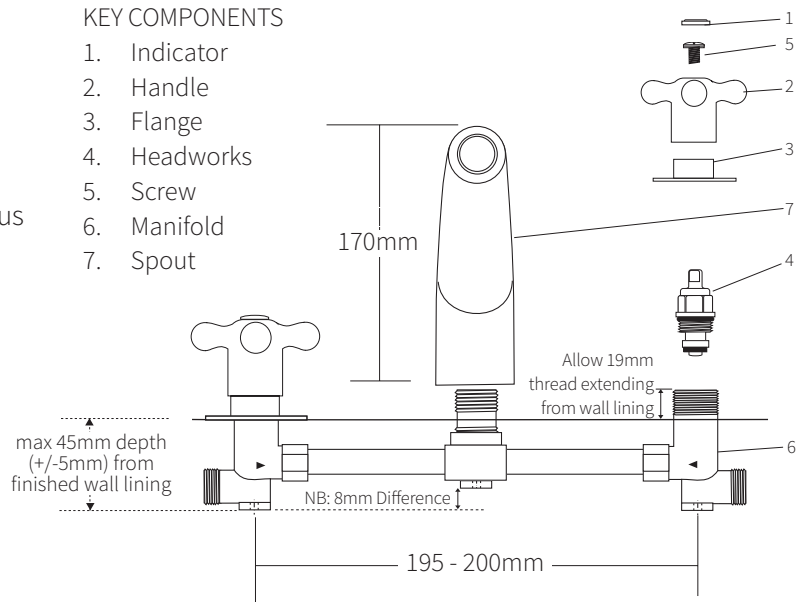
### INSTALLATION

**\*FOR PRESSURES EXCEEDING 500kPa INSTALL A PRESSURE REDUCING VALVE. THOROUGHLY FLUSH ALL PIPES TO ELIMINATE ANY REMAINING DIRT AND RESIDUE AND INSTALL INLINE FILTERS. FAILURE TO DO SO MAY VOID THE WARRANTY.**

- Before commencing installation, turn off the water supply.
- Cut a 30mm hole in wall lining for each tap body and a 24mm hole for the spout spigot.
- Remove handles and flanges/collar trim. Fit manifold to wall recess - max depth 45mm from outside of finished wall lining including tiles - ensure enough thread will extend from finished wall lining for attaching flange/collar trim (minimum 19mm).
- Firmly affix all three brackets (i.e. tap bodies + spout tee) with appropriate screws.
- Connect inlets to plumbing with either Crox or compression fittings. NB: Do not braze inlet/outlet joints. Under no circumstances should the inlet and/or outlet joints be welded.
- Once wall lining is installed, cut ½” threaded tube to length, allowing for a minimum 10mm thread protrusion.

#### KEY COMPONENTS

1. Indicator
2. Handle
3. Flange
4. Headworks
5. Screw
6. Manifold
7. Spout



ATTACH PROOF OF PURCHASE HERE

- Fit spout, flanges and handles (items 7, 3 & 2), then fit H and C indicators onto handles.
- Turn on the water supply and check for leaks.

#### WARRANTY

**PLEASE CALL US BEFORE REMOVING OR UNDERTAKING ANY REPAIR WORK.**

Please refer to our website for warranty information: [www.foreno.co.nz/warranty](http://www.foreno.co.nz/warranty)

In the unlikely event that this product fails during its warranty period, phone our Customer Service team immediately on 0508 FORENO (0508 367 366) – as unauthorised removal of the product may void the warranty.

#### CARE AND MAINTENANCE

**SHOULD NOT BE CLEANED WITH ACIDIC, CAUSTIC/ALKALINE, ABRASIVE OR CITRIC CLEANERS.**

A soft, damp cloth is recommended for cleaning (Not a Micro fibre cloth). Mild soap solutions can also be used on occasion.

PROUD PARTNER AND SUPPORTER OF MASTER PLUMBERS, GASFITTERS AND DRAINLAYERS

