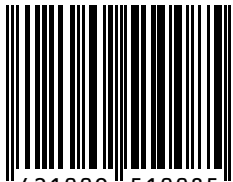


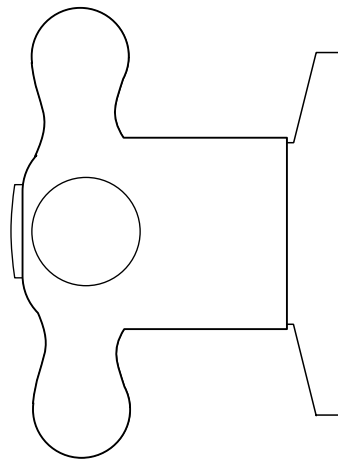


FORENO.

Shower Tap Set FSC1



9 421009 510085



Congratulations on your purchase of this high quality product from Foreno Tapware.
Please read the following before installation and retain (along with your receipt) for future reference.

TECHNICAL SPECIFICATIONS

Suitable for All Pressures

Minimum Pressure = 17kPa

Maximum operating Pressure = 500kPa

Maximum operating Temperature = 65 deg. Celsius

For domestic use only.

CONFIGURATION

Mains Pressure systems Install as supplied.

Unequal Low Systems Install as supplied.

Equal Low systems Install as supplied.

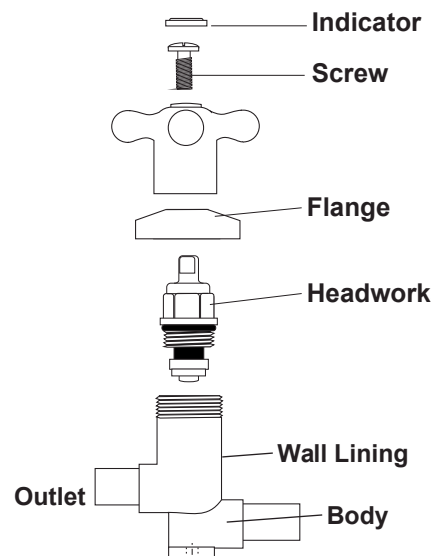
INSTALLATION

For pressures exceeding 500kPa install a pressure reducing valve. Failure to do so may void the warranty.

- Remove the indicator and screw, then the handle, then remove the flange and mounting washer.
- Fit the manifold to wall recess, ensuring all brackets are secured (i.e. tap bodies).
- Connect inlets to plumbing with either crox or compression fittings. NB: Make sure to have 10mm thread protruding when the wall lining is installed.
- Fit in the following order:
 1. Screw on the flanges.
 2. Screw on the handles. Tighten handle using the screw and finally put on the indicator.
- Turn on water supply. Check for leaks.

WARRANTY

Please refer to our website for warranty information: www.foreno.co.nz/warranty



ATTACH PROOF OF PURCHASE HERE

In the unlikely event that this product fails during its warranty period, phone our Customer Service team immediately on 0508 FORENO (0508 367 366) – as unauthorised removal of the product may void the warranty.

CARE AND MAINTENANCE

Chrome-plated finishes should not be cleaned with astringent, abrasive or citric cleaners. A soft, damp cloth is recommended for cleaning. Mild soap solutions can also be used on occasion.

PROUD PARTNER AND SUPPORTER OF MASTER PLUMBERS, GASFITTERS AND DRAINLAYERS

