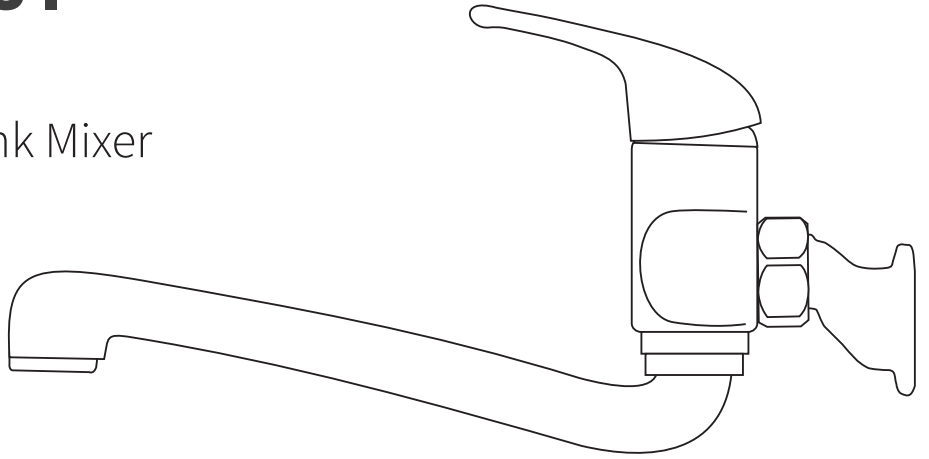




# FORENO.

## Foreno Wall Mount Sink Mixer with D Lever **FSX2**



Congratulations on your purchase of this high quality product from Foreno Tapware.  
Please read the following before installation and retain (along with your receipt) for future reference.

### TECHNICAL SPECIFICATIONS

#### Suitable for All Pressures

Minimum Pressure = 35kPa

Maximum operating Pressure = 500kPa

Maximum operating Temperature = 65 deg. Celsius

For domestic use only.

### CONFIGURATION

Mains Pressure systems Change aerator to the WELS rated one (supplied). Do not install valve in the offsets.

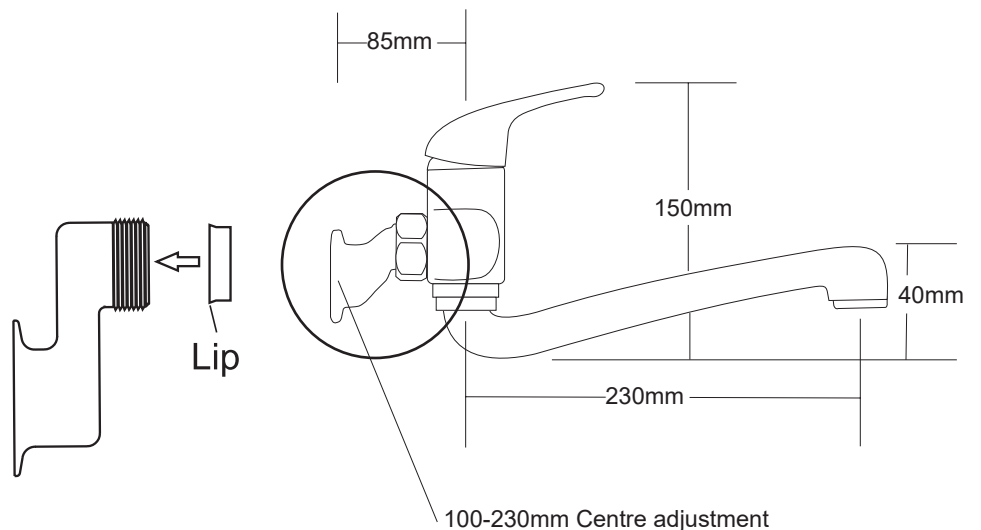
Unequal Low systems Install the valve to the cold offset as shown in the diagram.

Equal Low systems Installed as supplied. Do not install valve in the offsets.

### CONTENTS

Along with the mixer body and spout there should be:

- Offset fittings (2)
- Lever
- Mains pressure aerator
- Cold side valve.



ATTACH PROOF OF PURCHASE HERE

## INSTALLATION

- Fit offsets and body to wall mounted wing backs and adjust width to match the faucet body back-nuts.  
**It is essential to apply either Teflon sealing tape or Graphite + Hemp around the screwed tube prior to installation.**
- Fit mounting washers to the faucet body back-nuts and hand-tighten back-nuts on to offsets.  
(Do not over-tighten; only a quarter-turn with a wrench is required, cover nuts with cloth to avoid scratching).  
Note: No thread tape is required on the external offset thread within the coupling.
- Fit the centre spout. Ensure the black mounting seal is contained within the coupling nut. Hand-tighten the spout coupling nut on to the faucet body outlet thread (tweak a further quarter turn with adjustable spanner), covering the chrome surface with a cloth to prevent scratching.
- Turn on Mains supply.
- Check for leaks.

## WARRANTY

Please refer to our website for warranty information: [www.foreno.co.nz/warranty](http://www.foreno.co.nz/warranty)

In the unlikely event that this product fails during its warranty period, phone our Customer Service team immediately on 0508 FORENO (0508 367 366) – as unauthorised removal of the product may void the warranty.

## CARE AND MAINTENANCE

Chrome-plated finishes should not be cleaned with astringent, abrasive or citric cleaners.  
A soft, damp cloth is recommended for cleaning. Mild soap solutions can also be used on occasion.

PROUD PARTNER AND SUPPORTER OF MASTER PLUMBERS, GASFITTERS AND DRAINLAYERS

