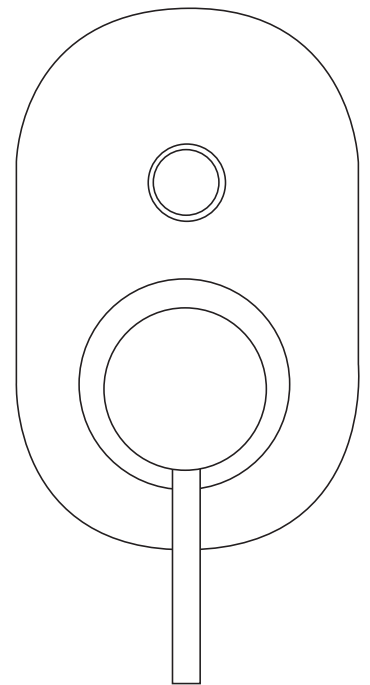




# FORENO.

## Icon Shower Mixer with Diverter ICON06



Congratulations on your purchase of this high quality product from Foreno Tapware.  
Please read the following before installation and retain (along with your receipt) for future reference.

### TECHNICAL SPECIFICATIONS

#### Suitable for Mains Pressure only

Minimum Pressure = 150kPa

Maximum operating Pressure = 500kPa

Maximum operating Temperature = 65 deg. Celsius

For domestic use only.

### CONFIGURATION

Mains Pressure systems Install as supplied.

Unequal Low systems This product is not suitable for this type of water pressure.

Equal Low systems This product is not suitable for this type of water pressure.

### OPERATION

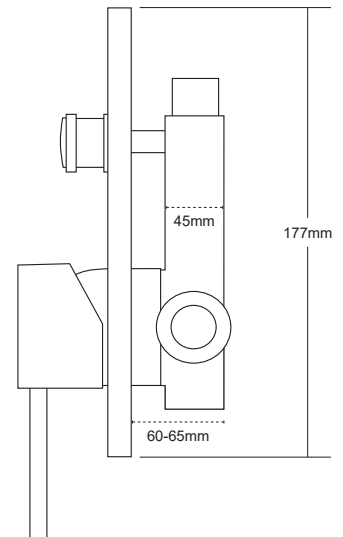
To divert the flow of water, pull the small knob towards you then twist to lock to an open position.

### INSTALLATION

Installation must comply with Section 5.4 of AS/NZS 3500 Standard with regard to Isolating stop cock use. Shower mixers must be water tested with the outlet open, to prevent damage to cartridge seals; due to back pressure.

- The distance from the mixer to the wall outlet must be no greater than 750mm. **The red (or H) marked port is for the hot supply line which is to the left side** (looking on - take note of drawing shown).
- Inline filters are recommended, particularly on the cold water supply line, to ensure cartridge longevity.  
**Failure to install an inline filter may void the warranty.**
- Any water seepage ex-the cartridge cavity opening can be stopped by re-tightening the large brass retaining nut.
- Turn on mains supply. Check for leaks.

**Plumbers Note: Do not pressure test this mixer under static pressure.**



ATTACH PROOF OF PURCHASE HERE

#### WARRANTY

Please refer to our website for warranty information: [www.foreno.co.nz/warranty](http://www.foreno.co.nz/warranty)

In the unlikely event that this product fails during its warranty period, phone our Customer Service team immediately on 0508 FORENO (0508 367 366) – as unauthorised removal of the product may void the warranty.

#### CARE AND MAINTENANCE

Chrome-plated finishes should not be cleaned with astringent, abrasive or citric cleaners.

A soft, damp cloth is recommended for cleaning. Mild soap solutions can also be used on occasion.

PROUD PARTNER AND SUPPORTER OF MASTER PLUMBERS, GASFITTERS AND DRAINLAYERS

