

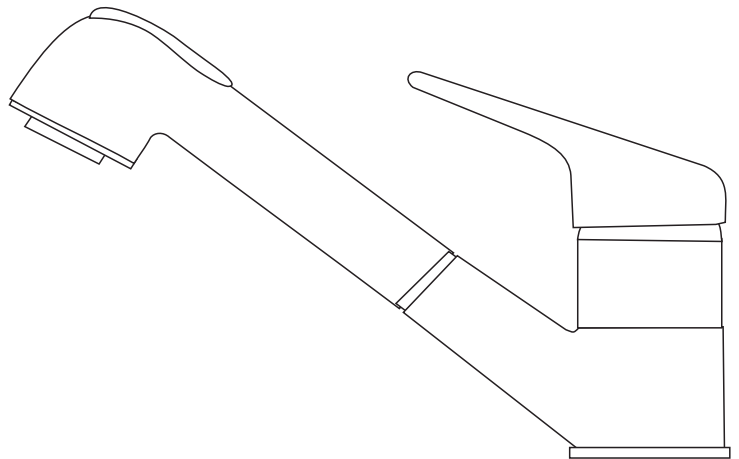


# FORENO.

## Le Tap Extractable Spray Sink Mixer LT121



9 421009 510931



Congratulations on your purchase of this high quality product from Foreno Tapware.  
Please read the following before installation and retain (along with your receipt) for future reference.

### TECHNICAL SPECIFICATIONS

#### Suitable for Mains Pressure only

Minimum Pressure = 150kPa

Maximum operating Pressure = 500kPa

Maximum operating Temperature = 65 deg. Celsius

For domestic use only.

### CONFIGURATION

Mains Pressure systems Install as supplied.

Unequal Low Systems Not suitable.

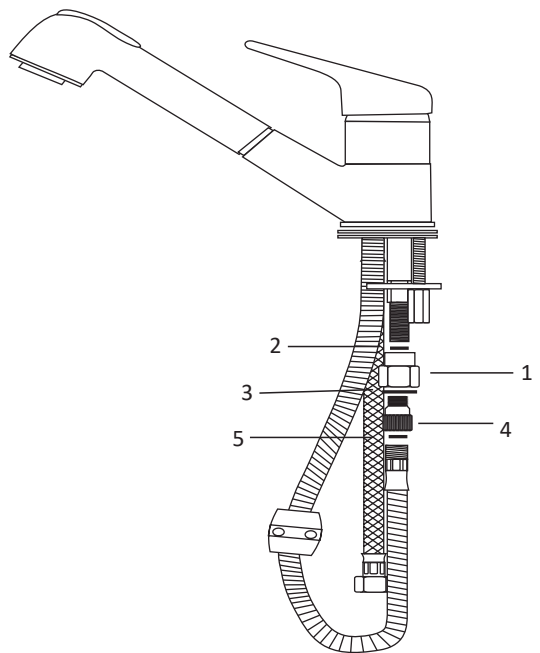
Equal Low systems Not suitable.

### INSTALLATION

**For pressures exceeding 500kPa install a pressure reducing valve.**

**Failure to do so may void the warranty.**

- Thoroughly flush all pipes to eliminate any remaining dirt and residue.
- Slide the extractable spray hose through the spout housing.
- Position tap in 38mm size hole, making sure the seal between tap and supporting surface is in place.
- Anchor to bench with fittings pack. NB: The in-line valve connection nut (see diagram, item 1) is attached to the end of the inlet pipe/mounting stud. When removing this nut, note the essential fibre sealing washer within the nut (item 2).
- Screw on the in-line valve nipple with flow control and back flow prevention (item 4) to item 1, ensuring the sealing washer (item 3) is in place.
- Attach the extractable spray hose spigot to the in-line valve, ensuring the black rubber seal (item 5) is in place. Ensure all three connections are water tight.
- Connect the flexible supply hoses to water supply.



ATTACH PROOF OF PURCHASE HERE

- Attach the handset to the conical nut end of the extractable spray hose - ensuring the back flow valve is fitted to the inlet of the handset.
- Attach the counterweight to the extractable spray hose at the bottom loop, ensuring free retraction of the hose. NB: Do not use a thread tape on the end of the handpiece. Do not overtighten the handpiece onto the hose.
- An in-line filter should be installed on the cold water inlet of ceramic mixers (at the point of hose coupling) to ensure longer cartridge life. Failure to do so may void the warranty. Any disassembly of this mixer will also void the warranty.
- Turn on water supply. Check for leaks.

#### MAINTENANCE

Clean the aerator filter regularly and immediately after first use to avoid a reduction in flow rate.

#### WARRANTY

Please refer to our website for warranty information: [www.foreno.co.nz/warranty](http://www.foreno.co.nz/warranty)

In the unlikely event that this product fails during its warranty period, phone our Customer Service team immediately on 0508 FORENO (0508 367 366) – as unauthorised removal of the product may void the warranty.

#### CARE AND MAINTENANCE

Chrome-plated finishes should not be cleaned with astringent, abrasive or citric cleaners. A soft, damp cloth is recommended for cleaning. Mild soap solutions can also be used on occasion.

PROUD PARTNER AND SUPPORTER OF MASTER PLUMBERS, GASFITTERS AND DRAINLAYERS

