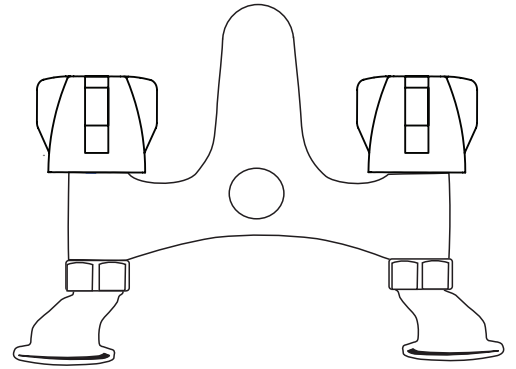


FORENO.

TAPWARE MADE FOR NEW ZEALAND since 1969

LE TAP

Bath Mixer with Diverter Duplex - 15mm Chrome LT800



Congratulations on your purchase of this high quality product from Foreno Tapware.
Please read the following before installation and retain (along with your receipt) for future reference.

TECHNICAL SPECIFICATIONS

Suitable for All Pressures

Minimum Pressure = 35kPa

Maximum operating Pressure = 500kPa*

(As per NZ Building Code AS/NZ 3500.1)

Maximum operating Temperature = 65 deg. Celsius

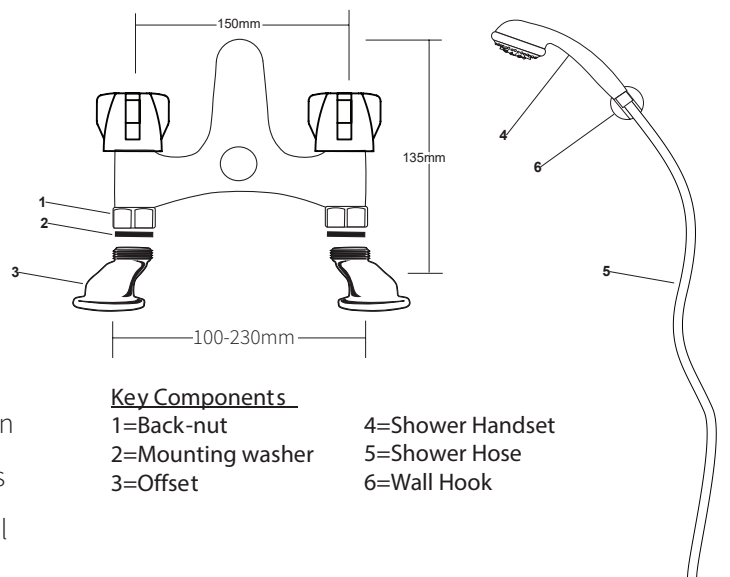
For domestic use only.

CONFIGURATION

Mains Pressure systems Add the flow regulator between the hose and the handset as shown in the diagram. This will comply with the WELs rating on the box for mains pressure. Remove the valve from the cold offset side.

Unequal Low Systems The offset containing the regulator valve should be installed on the cold supply. Discard the WELs flow regulator or save for future use if upgrading to a mains pressure system.

Equal Low systems Remove the valve from the cold offset side. Discard the WELs flow regulator or save for future use if upgrading to a mains pressure system.



INSTALLATION

***FOR PRESSURES EXCEEDING 500kPa INSTALL A PRESSURE REDUCING VALVE. THOROUGHLY FLUSH ALL PIPES TO ELIMINATE ANY REMAINING DIRT AND RESIDUE, AND INSTALL INLINE FILTERS. FAILURE TO DO SO MAY VOID THE WARRANTY.**

- Once the bridging nipple has been cut to length and fitted to the in-wall wing-backs, wind thread tape around the protruding spigot until the thread pitch is barely raised.

ATTACH PROOF OF PURCHASE HERE

- Screw on offsets (see diagram, item 3) and adjust width to match the faucet body back-nuts (item 1).
- Fit mounting washers (item 2) to the faucet body back-nuts (item 1).
- Tighten back-nuts on to offsets. NB: Do not over-tighten, no thread tape is required.
- Turn on water supply. Check for leaks.

USING THE DIVERTER

The Diverter knob must be lifted up and **twisted** to lock the diverter in place. The diverter will not remain up automatically. It should then be twisted again to release.

WARRANTY

PLEASE CALL US BEFORE REMOVING TAPWARE OR UNDERTAKING ANY REPAIR WORK.

Please refer to our website for warranty information: www.foreno.co.nz/warranty

In the unlikely event that this product fails during its warranty period, phone our Customer Service team immediately on 0508 FORENO (0508 367 366) – as unauthorised removal of the product may void the warranty.

CARE AND MAINTENANCE

SHOULD NOT BE CLEANED WITH ACIDIC, CAUSTIC/ALKALINE, ABRASIVE OR CITRIC CLEANERS.

A soft, damp cloth is recommended for cleaning (Not a Micro fibre cloth). Mild soap solutions can also be used on occasion.

PROUD PARTNER AND SUPPORTER OF MASTER PLUMBERS, GASFITTERS AND DRAINLAYERS

