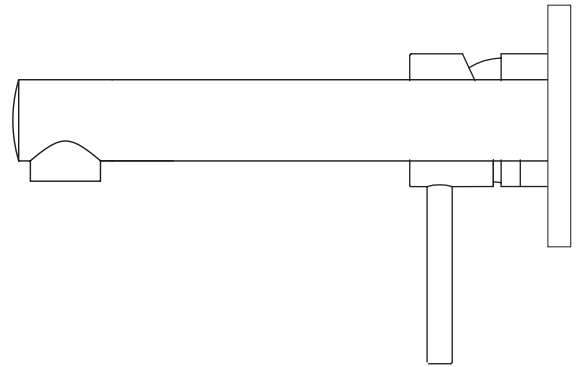


FORENO.

TAPWARE MADE FOR NEW ZEALAND since 1969



LE TAP MINIMO II

Wall Mounted Basin / Bath Mixer

LTM21



Congratulations on your purchase of this high quality product from Foreno Tapware.
Please read the following before installation and retain (along with your receipt) for future reference.

TECHNICAL SPECIFICATIONS

Suitable for All Pressures

Minimum Pressure = 35kPa

Maximum operating Pressure = 500kPa* (As per NZ Building Code AS/NZ 3500)

Maximum operating Temperature = 65 deg. Celsius

For domestic use only.

CONFIGURATION

Mains Pressure systems Prior to installation, remove the valve inserts from both inlets. For basin mixers, change aerator to the Mains Pressure one (supplied). For bath mixers install spout as supplied.

Unequal Low systems Install as supplied.

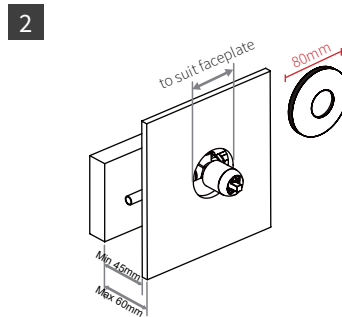
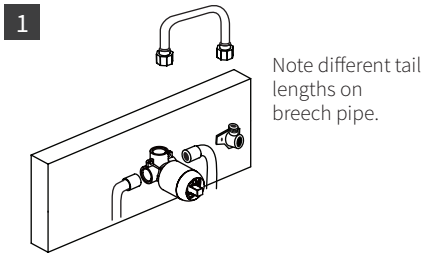
Equal Low systems Prior to installation, remove the valve inserts from both inlets.

INSTALLATION

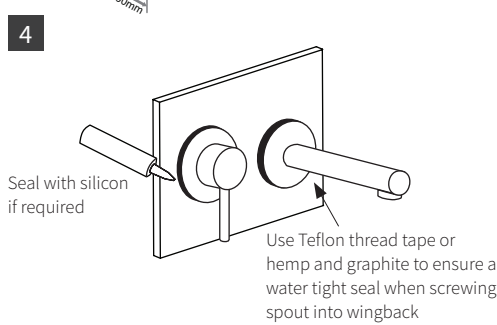
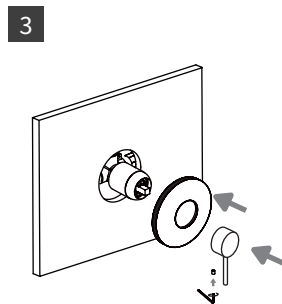
***FOR PRESSURES EXCEEDING 500kPa INSTALL A PRESSURE REDUCING VALVE. THOROUGHLY FLUSH ALL PIPES TO ELIMINATE ANY REMAINING DIRT AND RESIDUE, AND INSTALL INLINE FILTERS. FAILURE TO DO SO MAY VOID THE WARRANTY. TO BE INSTALLED AS PER THE REQUIREMENTS WITH AS/NZS 3500.**

- **SEE DIAGRAM OVERLEAF.**
- Flush all water lines to remove any foreign materials so it does not interfere with the flow regulated aerator or damage the ceramic cartridge.
- Make sure that the body recess including wall lining thickness allows wingback to fit flush with wall lining (approx 37mm).
- Note the protrusions at the back of the body to ensure a perpendicular mounting once screwed into place.
- Note when installing breach pipe the different tail lengths. The longer tail length should be fitted into the wingback, with shorter tail into mixer body.
- The three piece mixer-wingback-breach pipe design allows for different spout/mixer configurations to suit different bathroom designs. **The mixer can be installed on the left or right hand side of the spout.**

ATTACH PROOF OF PURCHASE HERE



****IMPORTANT:**
This mixer and spout are fitted with 80mm faceplates. It is recommended that the maximum hole dimension in finished wall lining **should not exceed 50mm.**



- Copper olives and brass nuts are supplied, ensure the use of adequate hemp and graphite, or PTFE tape to ensure a water tight fit as per good plumbing practice.
- Slide faceplate onto spout, then screw spout into wingback, using adequate PTFE tape or hemp and graphite to ensure a water tight seal.
- Turn on mains supply.
- Check for leaks and for correct operation.

Plumbers Note: Do not pressure test this mixer under static pressure.

WARRANTY

PLEASE CALL US BEFORE REMOVING TAPWARE OR UNDERTAKING ANY REPAIR WORK.

Please refer to our website for warranty information: www.foreno.co.nz/warranty

In the unlikely event that this product fails during its warranty period, phone our Customer Service team immediately on 0508 FORENO (0508 367 366) – as unauthorised removal of the product may void the warranty.

CARE AND MAINTENANCE

SHOULD NOT BE CLEANED WITH ACIDIC, CAUSTIC/ALKALINE, ABRASIVE OR CITRIC CLEANERS.

A soft, damp cloth is recommended for cleaning (Not a Micro fibre cloth). Mild soap solutions can also be used on occasion.

See FORENO. website for full care instructions: www.foreno.co.nz/tapware-care-instructions/